

**B.E.G.****LUXOMAT®**

## Aleum Glow AD

Prod.No. 93134 EAN: 4007529931347

- Voltage: 230 V AC  $\pm 10\%$  50 / 60 Hz
- Dimensions: 105 x 54 x 71 mm
- Settings: B.E.G. App (Bluetooth)

### Order data

Designation	Colour	Art.No
Aleum Glow AD	anthracite	93134

### Accessories

Designation	Colour	Art.No
RC-Arc extinction kit	white	10880
Mini-RC-Arc extinction kit		10882
Wire basket BSK (Ø 200 x 90 mm)	white	92199

## Technical data

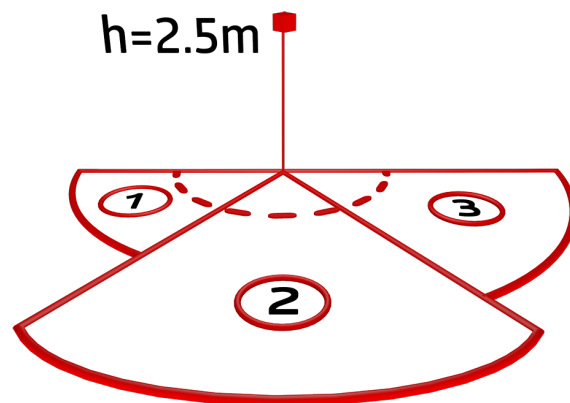
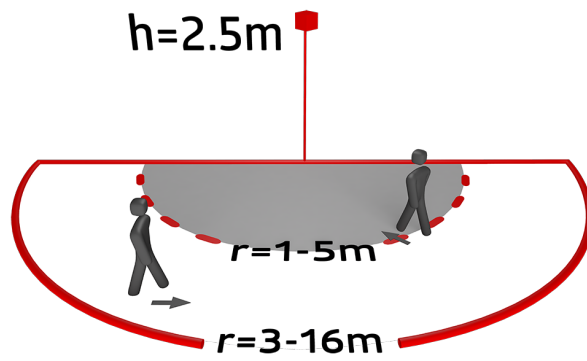
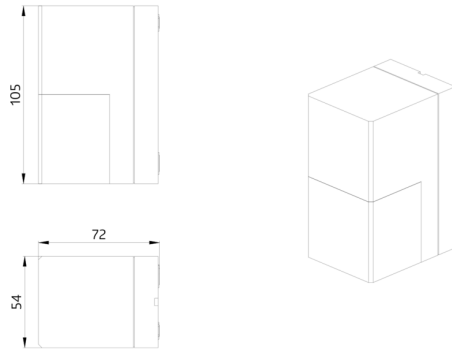
Voltage:	230 V AC $\pm 10\%$ 50 / 60 Hz
Dimensions:	105 x 54 x 71 mm
Settings:	B.E.G. App (Bluetooth)
Power consumption:	approx. 0.5 W
Detection area:	horizontal 180° (Wall mounting) max. 16 m across max. 5 m towards
Range:	max. 3 m anti- creep protection
Monitored area (tangential movement):	400 m <sup>2</sup> / 2.5 m mounting height
Mounting height min./max./recommended:	2 m / 4 m / 2.5 m
Degree / class of protection:	IP54 / Class II
Impact strength:	IK03
Ambient temperature:	-25 °C to +50 °C
Housing:	polycarbonate, UV-resistant
Material color:	anthracite mat, similar to RAL7016
Connections and wires:	for solid conductors 0.5 - 2.5 mm <sup>2</sup>

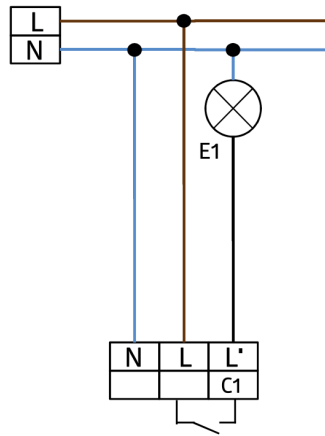
### Channel 1 (lighting control)

Switching power:	2300 W, $\cos \varphi$ = 1 1150 VA, $\cos \varphi$ = 0.5 300 W LED max. inrush current $I_p$ (20 ms) = 165 A max. inrush current $I_p$ (200 $\mu$ s) = 800 A
Type of contact (k):	1x $\mu$ -contact, NO contact with tungsten pre- make contact
Follow-up time:	10 sec - 30 min, Pulse
Ambient light:	0 - 100 % / 10 s - 6 h / 16 colours
Switch-on threshold:	10 - 2500 Lux

## Product information

Motion detector with 180° detection area and anti-creep zone
Ambient light
Further functions can be set via Bluetooth using the B.E.G. app
Mechanical range adjustment of different PIRs
Different follow-up time depending on direction of movement
Uninterrupted parallel circuit detection of several detectors
Immediate operation using factory settings
Zero crossing switching
Faulty switching due to animals can be avoided by reducing the sensitivity
Easy mounting thanks to plug base
Bluetooth can be switched off
Wall installation
Factory settings 3 min, 20 lux, PIR sensitivity: max ambient light colour: white; brightness: 100%; follow-up time: 5 min





## Accessories



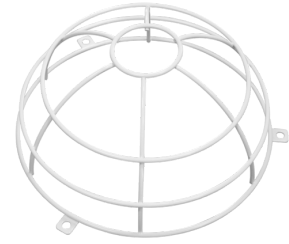
**RC-Arc extinction kit**  
Art.No: 10880

Voltage: 230 V AC  $\pm 10\%$   
Dimensions: 38 x 12 x 26 mm  
Degree / class of protection: IP20 /  
Class II



**Mini-RC-Arc extinction kit**  
Art.No: 10882

Voltage: 230 V AC  $\pm 10\%$   
Dimensions: 50 x 23 x 8 mm  
Degree / class of protection: IP20 /  
Class II



**Wire basket BSK (Ø 200 x 90 mm)**  
Art.No: 92199

Dimensions: Ø 200 x 90 mm  
Impact strength: IK09  
Housing: coated steel basket