

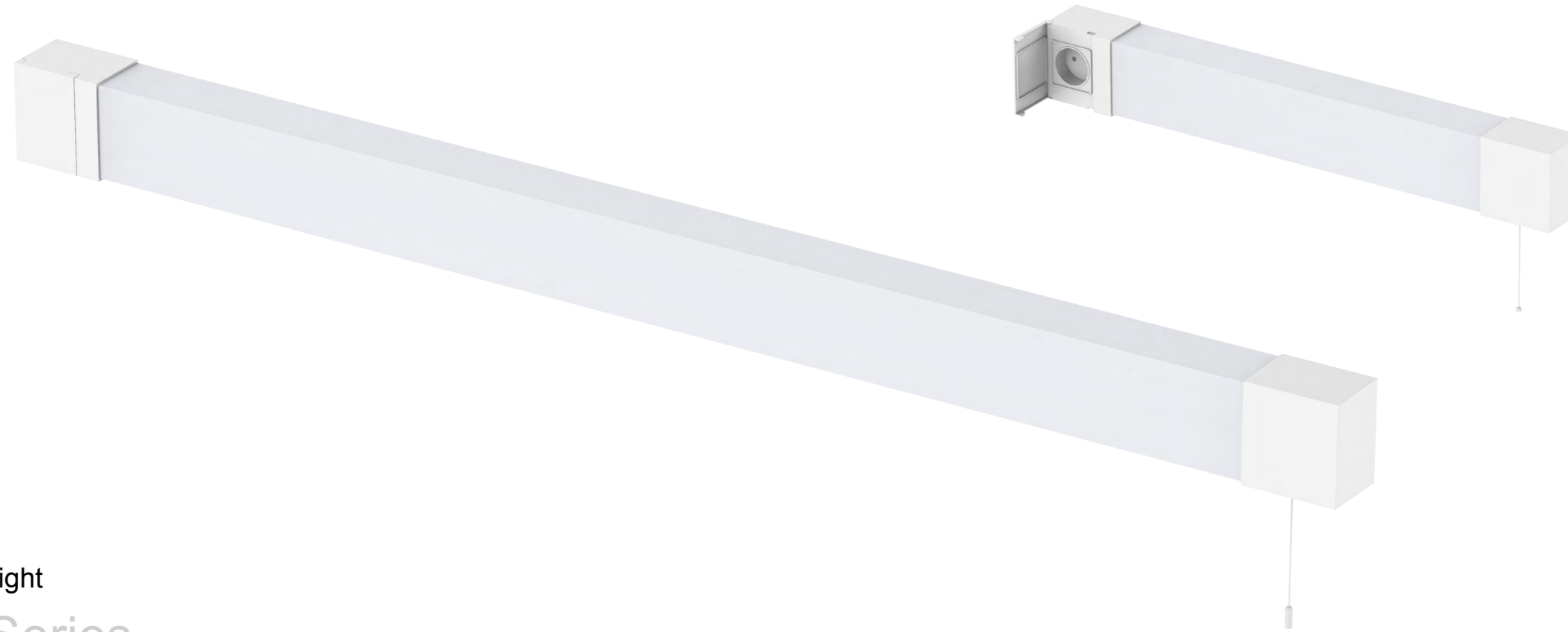
Entry / ECO

Standard / STD

Professional / PRO

ODM & OEM

Intelligent / INT



LED Mirror Light
ML25 Series



Introduction

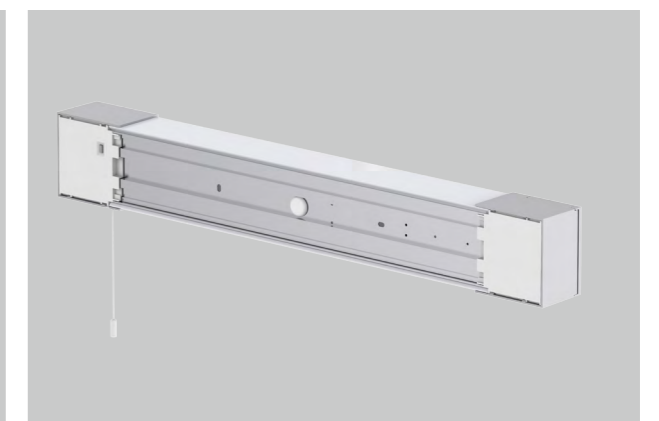
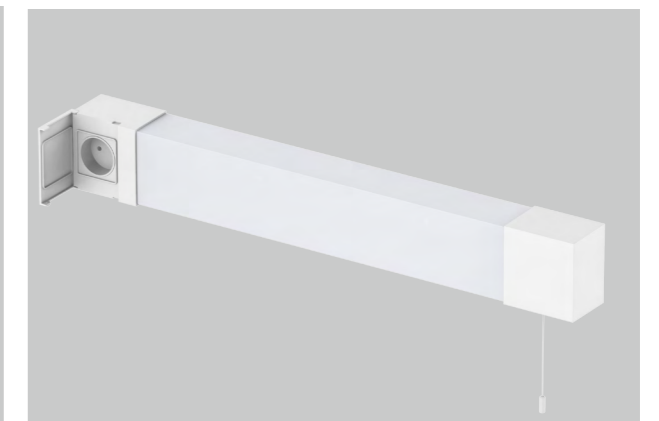
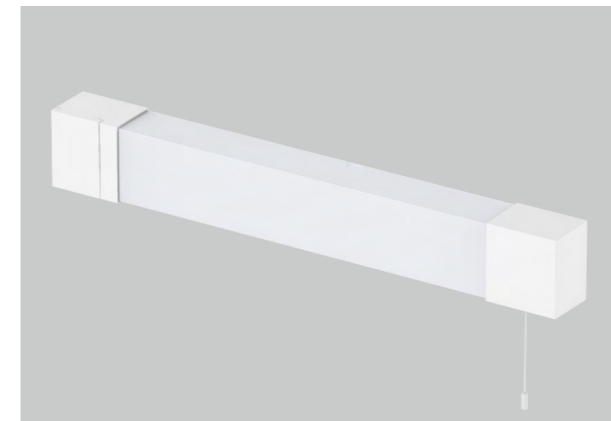
This mirror light has a wide beam angle, it adopts 2835 SMD high lumen light source, PC diffuser provides a uniform light output. It has an EU socket in end cap which can connect 16A high-power electrical device (eg. hair dryer). Both versions can do adjustable CCT, and they have separated pull switch, very convenient for operation.

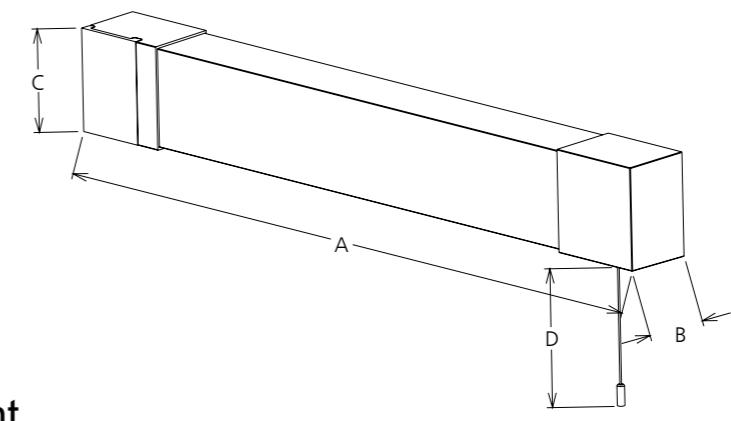
Features

- Wider beam angle 140 degree.
- With EU socket which can hold 16A electrical device.
- Separated pull switch.
- IP44 waterproof.
- Interchangeable CCT(3000K+4000K+5700K)with slide switch.
- Internal flicker free driver.

Application Areas

It is widely used in bathroom, dressing table, hotel room etc.





Technical Data Sheet

Code No.	ML25-600-8W	ML25-900-10W	
Dimension(mm)	599*57*85	899*57*85	
Cutout (mm)	-		
Watt(W)	8W	10W	
Rated Input Voltage(V)	AC230V		
Input Voltage(V)	AC220-240V		
LED Module Input	-		
Light Source	SMD		
SDCM	<6 @3000K		
CCT(K)	3-CCT: 3000K + 4000K + 5700K		
CCT Selection DIP Switch	YES		
Luminous Flux (lm) ±5%	Non-DIM	1-CCT	-
	DIM	1-CCT	-
	Non-DIM	3-CCT	750-850
	DIM	3-CCT	950-1150
CRI	≥80		
Beam Angle (°)	140°		
UGR	-		
LED Driver	Built-in		
Dimming Option	-		
Sensor	-		
Emergency Kits	-		
Electrical Class	Class I		
Ingress Protection (IP Rating)	IP44		
Impact Resistance (IK Rating)	-		
Product Finishing(Base)	White RAL 9016 /Silver RAL9007		
Materials of Optics	PC		
Materials of Housing	PC+AL6063		
Lifetime (hr)	50,000h		
Glow wire test (°C)	750°C		
Operating Temp. (°C)	-20°C ~45°C		
Storage Temp. (°C)	-20°C ~65°C		
Installation	Wall mount		

Measurement

Code	Dimension(mm)				Size(mm)	Product Weight (Kg)		Package weight (Kg)		Carton Size(cm)	Qty/CTN	20GP (pcs)	40HQ (pcs)
	A	B	C	D		N.W/PC	G.W/PC	N.W/CTN	G.W/CTN				
ML25-600-8W-C3	599	57	85	190	599*57*85	0.735	0.82	8.9	9.8	65*29*27	12	6564	15012
ML25-900-10W-C3	899	57	85	190	899*57*85	1.015	1.1	12.2	13.2	97*29*27	12	4344	10008

Driver Datasheet (Non-dimmable)

Total load wattage		8W	10W
Output	Output Voltage range	DC30-40V	
	Rated output current	200mA	250mA
	Line Regulation	±5%	
	Setup, Rise Time	<0.5S	
	Flickering Index	NO RISK	
Input	Input Voltage	AC220-240V	
	Rated Input Voltage(V)	AC230V	
	Frequency	50/60Hz	
	Input Current	0.05A	0.06A
	Rated Input Current	0.04A	0.05A
	Power Factor	0.8 @230V	0.9 @230V
	THD	<20% @230V	<20% @230V
	Efficiency	82% @230V	84%@230V
No load wattage		<0.5W	
Protection	Short circuit protection	Pass	
	Over voltage protection	Pass	
	Over temperature protection	Pass	
Safety &EMC	Withstand voltage	I/P-FG:1.5KVac,<5mA 60S	
	Isolation Resistance	500VDC, ≥2M Ω	
	Surge	IEC/EN61000-4-5(P<25W; L-N:500V, L/N-PE:1KV)	
	EMC Emission	EN55015, EN61000-3-2	
EMC Immunity		EN61000-4-2,3,4,5,6,8,11; EN61547	

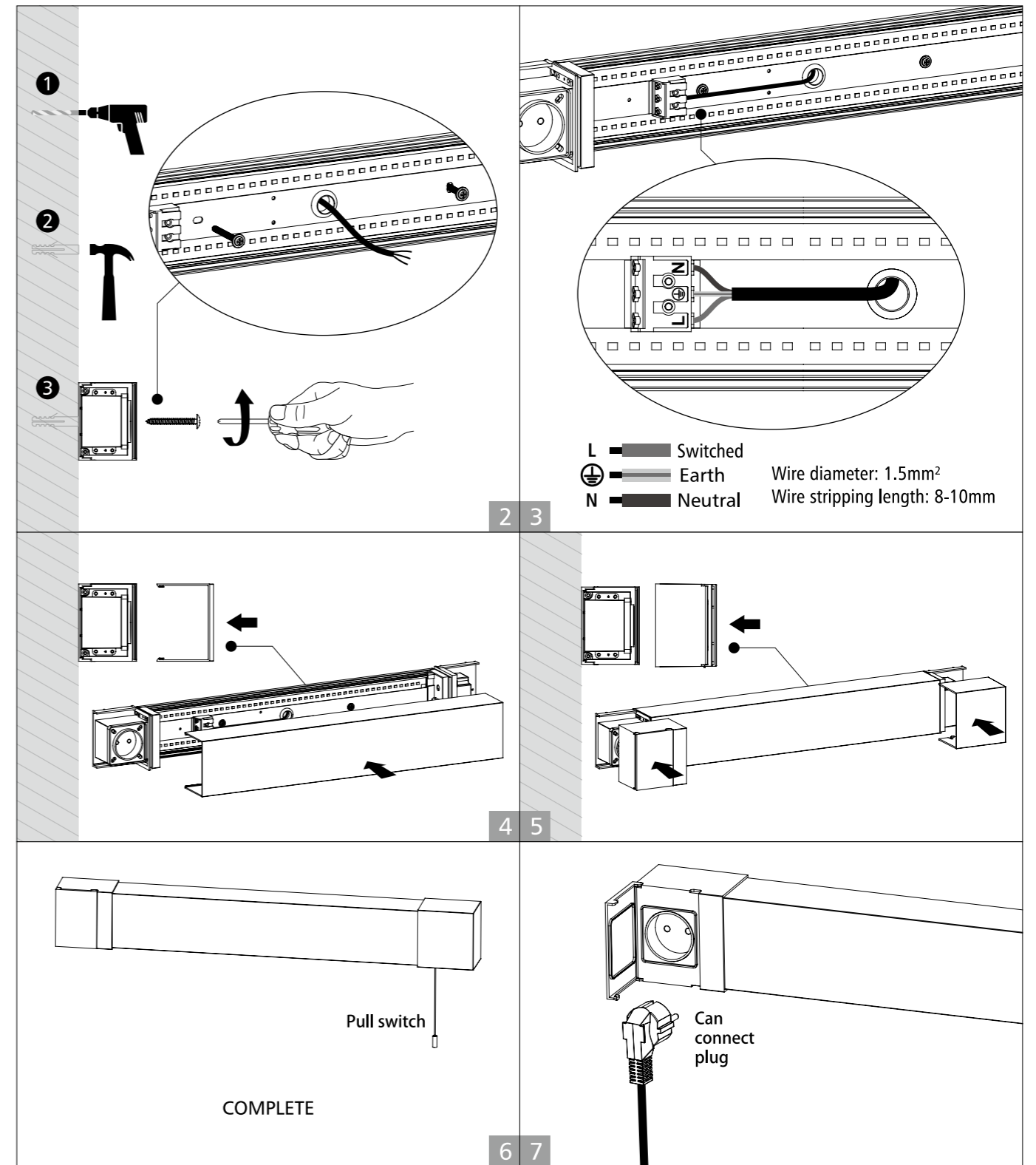
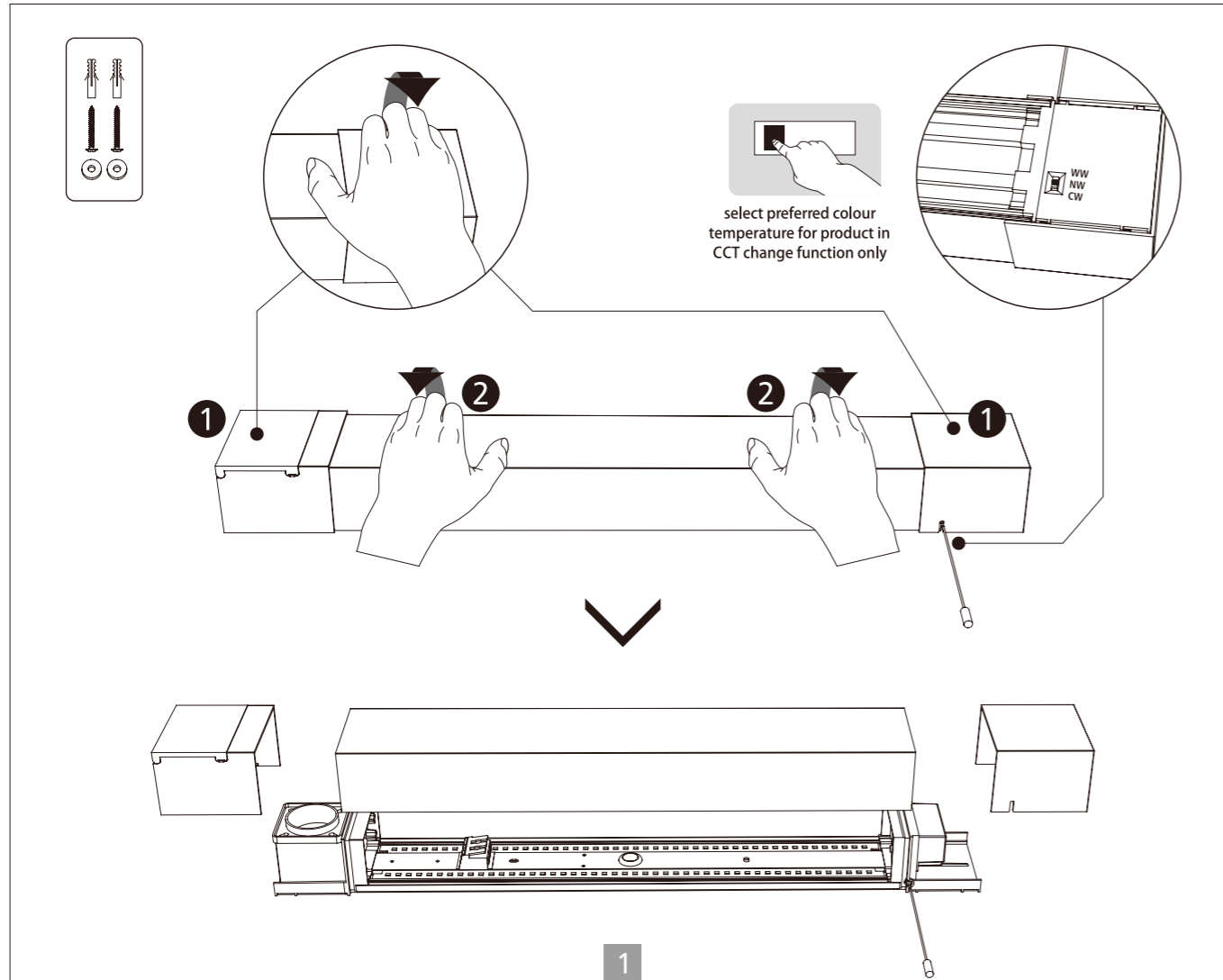
Installation Procedure

WARNING ⚡

1. Switch off before installation.
2. Switch on only after complete installation and examination of the circuit.
3. Professional electrician for installation and maintenance only.



Surface mounted installation





Up to Shine, there is life 光之上，是生活

▼ www.upshine.com info@upshine.com TEL: +86 755 2919 7332 ▼

Add: 2-5 Floor, 2nd Building, Runheng Industrial Zone, Fuyuan 1st Road(West side), Fuyong Sub-district, Bao'an, Shenzhen, China