

DALI-LINK - Starterset

STARTERSET-DALI-LINK-SMALL-OFFICE

Art.-Nr.: 93840

Product Information

Product may not be available in all countries

- DALI-LINK Multi Room Solution - Starter Set
- DALI pushbutton module with 4 binary inputs and integrated Bluetooth gateway for hidden mounting behind flush mount switches.
- Particularly flat, addressable DALI multi sensor with a visible height of only 0.85 mm and with integrated DALI application controller.
- DALI power supply for the B.E.G. DALI-LINK multi room solution for installation in suspended ceilings.

Technical Data

Voltage: 110 - 277 V AC**Scope of delivery:** PS-DALI-LINK-FC, PBM-DALI-LINK-4W-BLE, PD11-DALI-LINK-FLAT

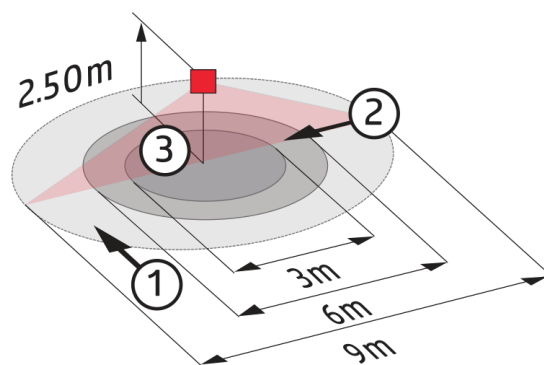
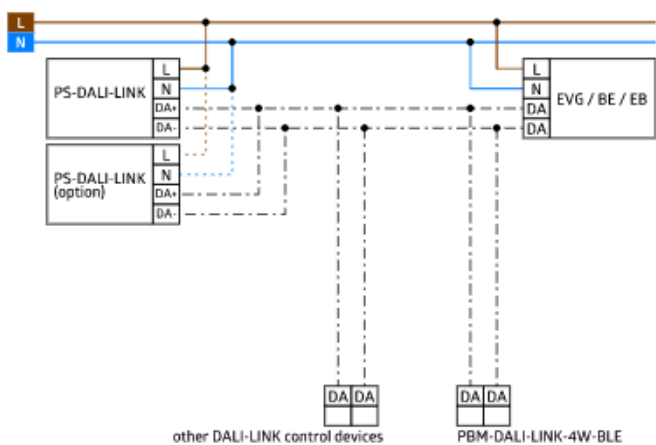
Description

Description	Colour	Part number	EAN number
STARTERSET-DALI-LINK-SMALL-OFFICE		93840	4007529938407

Accessory

Description	Colour	Part number	EAN number
PS-DALI-LINK-DE	white	92846	4007529928460
PD11-DALI-LINK-FLAT	white mat, similar to RAL9010	93068	4007529930685
PBM-DALI-LINK-4W-BLE	-	92732	4007529927326

Dimensions 93840



Range diagramm