

DALI-LINK - Control devices

PD11-DALI-LINK-FLAT



white mat, similar to
RAL9010 , Art.-Nr.: 93068

Product Information

Product may not be available in all countries

- Low profile DALI multisensor (visible height: 0,85 mm)
- Powered via DALI bus
- Seamless integration in DALI lighting control system B.E.G. LUXOMAT[®] net DALI-LINK as modular multimaster option
- Multimaster-capable with slave function
- Measuring of mixed light thanks to internal light sensor
- Semi-automatic, full-automatic or twilight switch mode
- Integrated daylight harvesting circuit (or switch output)
- Guided Light, Soft-Start PLUS, Orientation light PLUS
- Works out-of-the box for easy installation check
- Full range of functions can only be activated with other products of the product group B.E.G. LUXOMAT[®] net DALI-LINK
- Spring clips for quick and easy installation in suspended ceilings
- Includes blinds and clamp ring for installation into light fittings
- Flush mounting with accessory 92833, surface mounting with accessories 92833 and 92121

Technical Data

Voltage: 9,5 - 22,5 V DC (typical 16 V) via DALI Bus

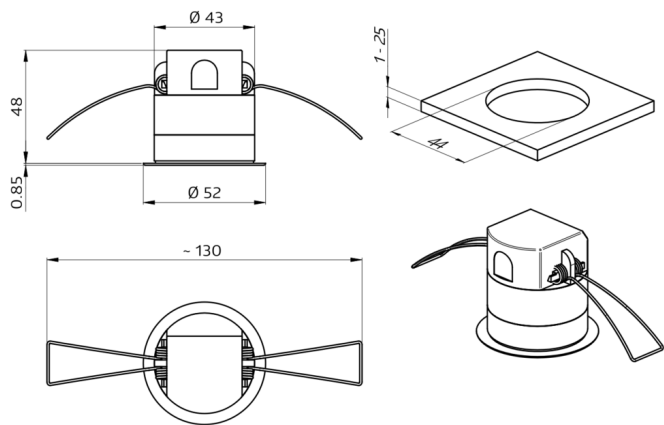
Dimensions:	Ø 52 x 48 mm
Settings:	PBM-DALI-LINK-4W-BLE + Smartphone with DALI-LINK App (iOS / Android)
typ. power input:	4 mA
Power consumption:	0,1 W
Detection area:	horizontal 360° (Ceiling mounting)
Range:	max. Ø 9 m across max. Ø 6 m towards max. Ø 3 m seated
Monitored area (tangential movement):	63 m ² / 2,5 m mounting height
Mounting height min./max./recommended:	2 m / 5 m / 2,5 m
Degree / class of protection:	IP20 / Class II
Ambient temperature:	-25 °C to +50 °C
Housing:	polycarbonate, UV-resistant
Connections and wires:	for solid conductors 0,5 – 2,5 mm ²
Follow-up time:	1 sec – 120 min
Orientation light:	5 – 100 % / 1 min – 120 min / ∞
Brightness set value:	10 – 2500 Lux

Description

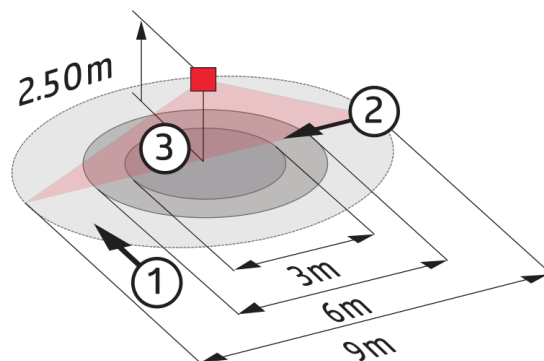
Description	Colour	Part number	EAN number
PD11-DALI-LINK-FLAT-FC	white mat, similar to RAL9010	93068	4007529930685

Accessory

Description	Colour	Part number	EAN number
IR-PD-DALI-Mini	-	92112	4007529921126
In-wall mounting set / PD11	white	92833	4007529928330
Cover ring PD11 Ø 52 mm	black glossy, similar to RAL9011	92537	4007529925377
Cover ring PD11 Ø 100 mm	white mat, similar to RAL9010	92692	4007529926923
Square design frame PD11-FC	white mat, similar to RAL9010	92994	4007529929948
Surface mounting socket PD11	white	92121	4007529921218



Dimensions 93068



Range diagram

- 1: Walking across
- 2: Walking towards
- 3: Seated activity

