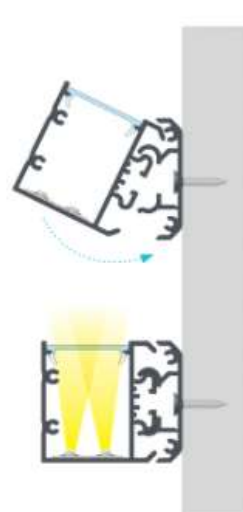


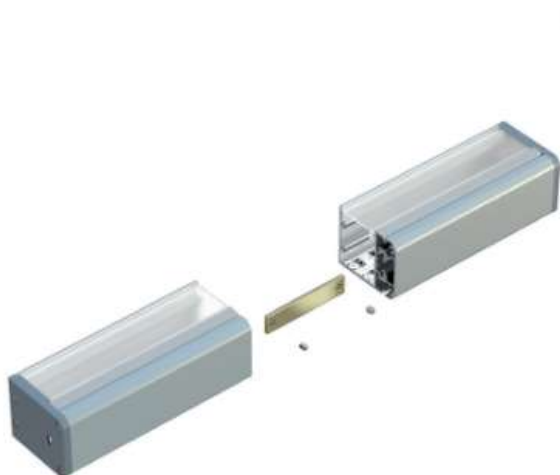
1

Instruction of the assembly of UNICO profile with DOUBLE cover using the mounting screw and TALIA M1 mounting profile



2

Instruction of the assembly of UNICO profile with DOUBLE cover using the mounting screw and TALIA M1 mounting profile and the end result:



3

Connecting profiles UNICO using straight connector



4

Connecting profiles UNICO using angular transverse connector

