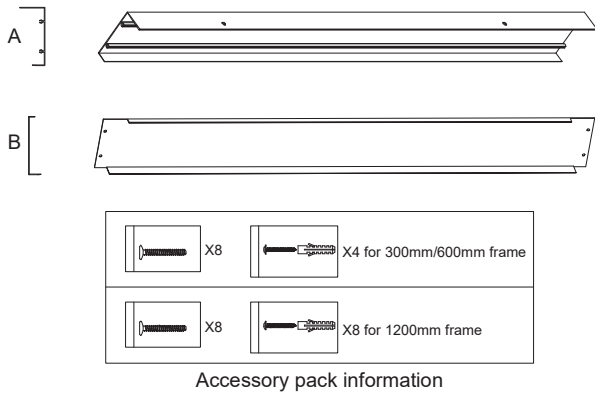
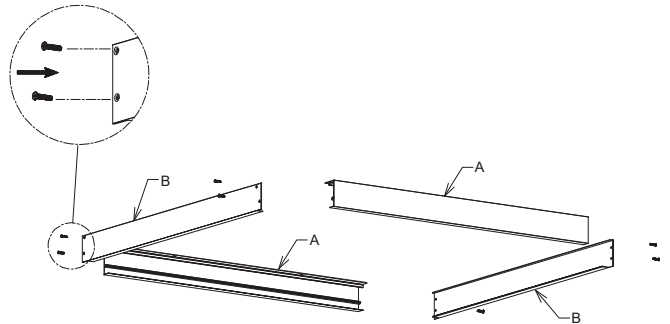


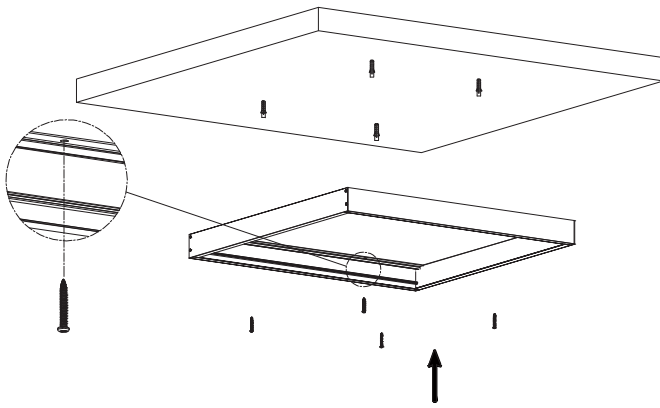
# Panel ceiling installation instruction



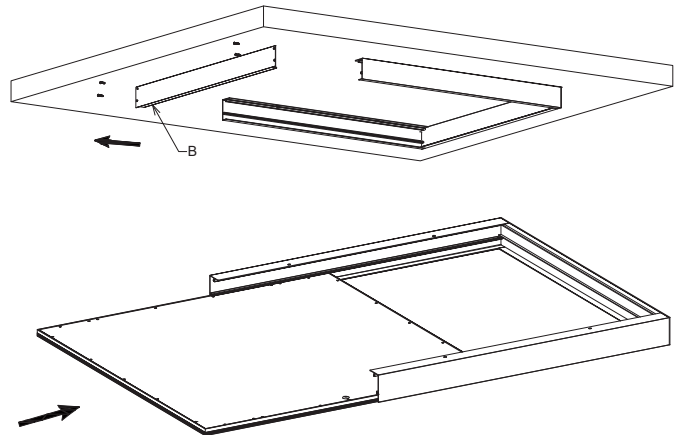
1. Unpack box and take out aluminum profile A - 2pcs, aluminum profile B - 2pcs, as well as accessory pack.



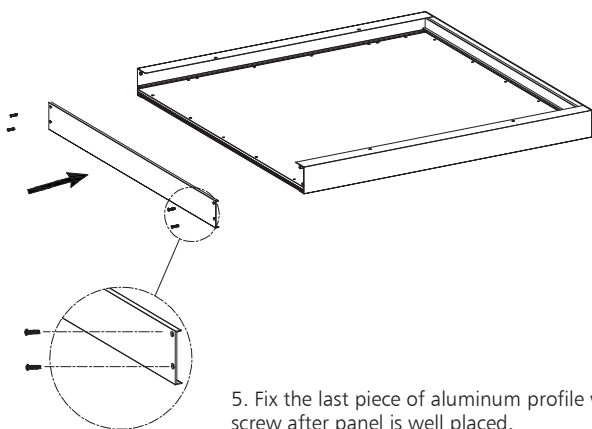
2. Assembling 3 pieces aluminum profile together with screw.



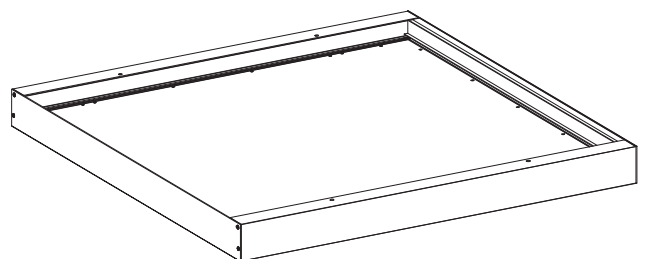
3. Fix semi-finished frame onto ceiling with screw (Concrete ceiling requires plastic anchor)



4. Slide panel into frame properly.



5. Fix the last piece of aluminum profile with screw after panel is well placed.



6. Switch on and check for correct operation