

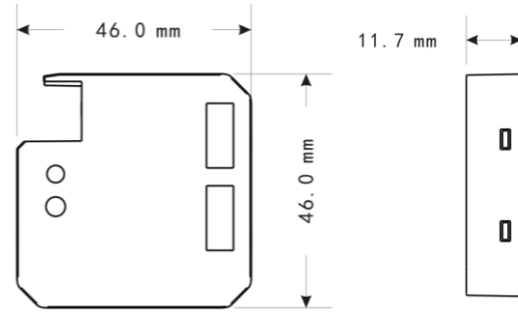
Technical Sheet For EIB / KNX Universal Interfaces, 4flod

KI/U 0401.1



The worldwide STANDARD for home and building control

DIMENSIONS



Model	Dimension	Weight
KI/U 0401.1	46x46x11.7mm	0.05kg

CHARACTERISTICS

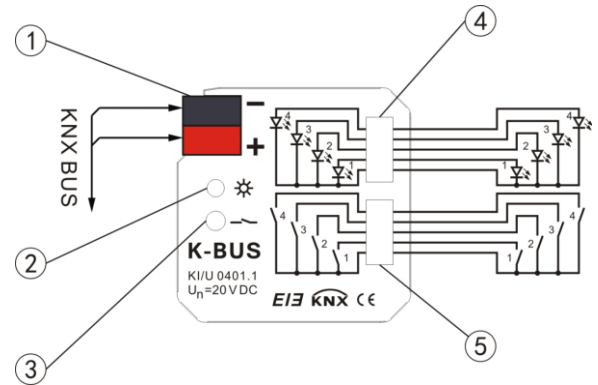
- Switch function
- Switch and dimming of the lighting (also 1 button operation)
- Send of value and forced output
- Scene control
- Switching sequence
- Counter
- Multiple operation
- Shutter control (also 1 button operation)
- LED function

PARAMETERS

Power supply	Bus voltage	21-30V DC, via the EIB
Inputs/outputs	4-flod key scan	Can be individually configured function of channel
	4-fold LED scan	Can be individually configured function of LED
	Key scanning voltage	20V DC
	Key input current	0.5mA
	LED output voltage	5V DC
	LED output current	Max. 2.5mA, limited via series resistor of 2KΩ
	Safety	Short-circuit-proof, overload protection, reverse voltage protection
Connections	EIB / KNX	Via bus connecting terminal (Diameter 0.8mm)

Operation and display elements	Connection for key	≤10M
	Red LED and push button	For assigning the physical address
	Green LED flashing	For displaying application layer running normally
Temperature	Operation	-5 °C ... + 45 °C
	Storage	-25 °C ... + 55 °C
	Transport	- 25 °C ... + 70 °C
CE norm	In accordance with the EMC guideline and the low voltage guideline, EN50 090-2-2	
Certification	EIB/KNX certified	

DESCRIPTIONS



- ① EIB / KNX bus connection terminal
- ② Red LED for entering the physical address, green LED for application process normally running
- ③ Programming button
- ④ LED terminal
- ⑤ KEY terminal

INSTALLATION FIGURE

The extremely compact design enables the device to be inserted in a conventional 60 mm wiring box. Must ensure that the device operation, testing, detecting, maintenance correctly.

IMPORTANT INFORMATION

Installation and commissioning of the device may only be carried out by trained electricians. The relevant standards, directives, regulations and instructions must be observed when planning and implementing the electrical installation.

• Protect the device against moisture, dirt and damage during transport, storage and operation!

• Do not operate the device outside the specified technical data (e.g. temperature range)!

Should the device become soiled, it may be cleaned with a dry cloth. If this does not suffice, a cloth lightly moistened with soap solution may be used. On no account should caustic agents or solvents be used.

EIB/KNX 通用接口技术规格书

适用型号:

KI/U 0401.1

国际标准的家庭和楼宇控制系统



产品功能

- 开关功能
- 开关/调光功能
- 值/强制输出功能
- 场景控制功能
- 开关序列功能
- 计数器功能
- 多重操作功能
- 百叶窗控制功能
- LED 控制功能

技术参数

电 源	—工作电压	21-30V DC, 由总线提供
输入/输出	—4 个通道按键	可单独配置按键功能
	—4 个通道 LED	可单独配置 LED 功能
	—按键扫描电压	20V DC
	—按键扫描电流	0.5mA
	—LED 输出电压	5V DC
	—LED 输出电流	最大 2.5mA, 串联 2KΩ 的电阻限制
	—安全	短路保护, 过载保护, 反向电压保护
连 接	—EIB / KNX	总线连接端子(直径 0.8mm)
	—按键连线长度	≤10M
操作和指示	—红色 LED 和按键	分配物理地址
	—绿色 LED 闪烁	指示设备应用层工作正常

温度范围	—运行	-5 °C ... + 45 °C
	—存储	-25 °C ... + 55 °C
	—运输	- 25 °C ... + 70 °C

—湿度 <93%, 结露除外

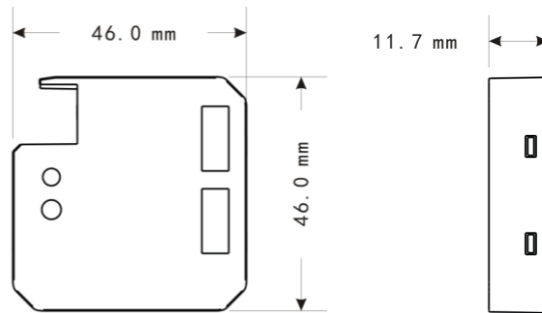
—暗装 60mm 开关盒内

—符合 EMC 和低电压标准, 符合 EN 50 090-2-2

—EIB/KNX 认证

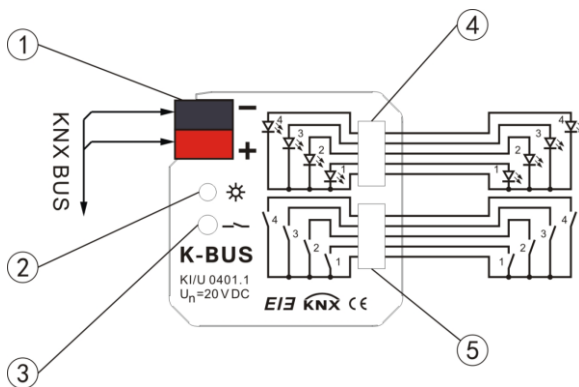
—III

尺寸规格



型号	尺寸	重量
KI/U 0401.1	46x46x11.7mm	0.05kg

接线图



说明

- ① EIB /KNX 总线连接端子
- ② 红色 LED 指示进入物理地址编程状态, 绿色 LED 闪烁指示设备应用层工作正常
- ③ 编程按钮
- ④ LED 接线座, LED 的功能由参数配置
- ⑤ 按键接线座

安装说明

此设备设计紧凑, 因此能被安装在一个传统的 60mm 接线盒中。安装时必须确保设备操作、测试、检测、维护、维修正确无误。

重要提示

安装和调试设备只能由合格的熟练电工来操作。在计划与实施电气安装的过程中相关的标准、指令、规则和指示都要严格执行。

- 需要避免器件在运输、储存、使用的过程中受潮、脏污以及受损。
- 不要使器件运行在指定的技术指标之外 (例如温度范围)。

当设备脏污时, 只可以使用干燥的布来清洁。如果这样不足以清洁干净, 可以使用湿布蘸少许肥皂溶液轻轻擦拭。绝不能使用碱剂或者腐蚀性溶剂。