

## Technical Sheet For KNX Thermostat Lite,55mm

CHTL-02/00.x.0y

(x=1, 2; y=0, 1)

The worldwide STANDARD for home and building control

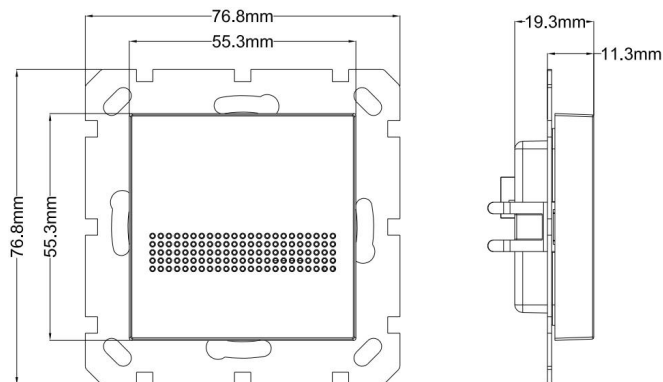
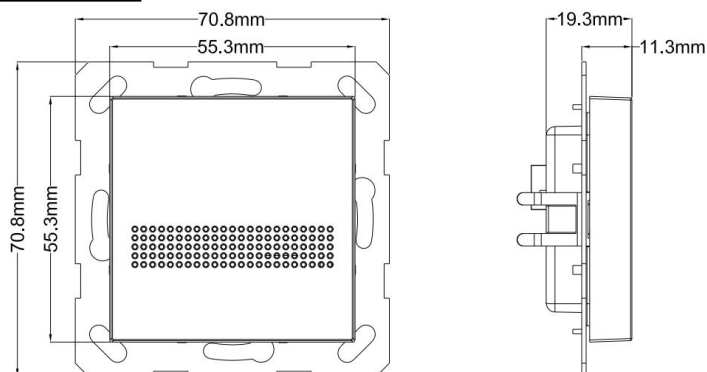
### CHARACTERISTICS

- Internal temperature / humidity sensor
- Control modes: heating, cooling, heating and cooling, with 2-pipes or 4pipes system
- HVAC operation modes: comfort, standby, economy, protection
- Temperature logic algorithm supports 2-point and PI control
- Fan auto.control
- 2 external input interfaces, used as dry contact detection (Switch, Scene, String send) or NTC temperature detection
- Compatible with European 55mm-system push button standard design
- Support KNX secure

### PARAMETERS

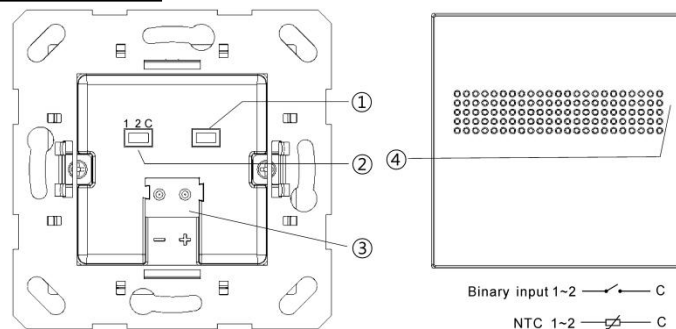
<b>Power Supply</b>	Bus voltage	21-30V DC, via the KNX bus	
	Bus current	<6mA, 24V; <5.5mA, 30V	
	Bus consumption	<165mW	
<b>Input</b>	2 external inputs, as dry contact input or 10K NTC input		
<b>Connection</b>	KNX	Bus connection terminal	
	Input	A three-wires connection terminal, cable length <5m	
<b>Operation and display</b>	Programming button and red LED	For assigning the physical address, LED off after download	
	<b>Temperature</b>	Operation	- 5 °C ... + 45 °C
		Storage	- 25 °C ... + 55 °C
		Transport	- 25 °C ... + 70 °C
<b>Environment</b>	Humidity	<93%, except dewing	
<b>Mounting</b>	In a conventional 80 or 86 mm wiring box		

### DIMENSIONS



Model	Dimension	Weight
CHTL-02/00.x.0y	70.8 x 70.8 x 19.3 mm (80 mm wiring box)	0.05kg
	76.8 x 76.8 x 19.3 mm (86 mm wiring box)	

### DESCRIPTIONS



- ① Programming button and LED    ② Input terminals  
③ KNX bus connection terminal    ④ Internal temperature / humidity sensor

### INSTALLATION FIGURE

KNX Thermostat Lite,55mm can be installed in a conventional 80 or 86 mm wiring box. It requires only KNX bus powered. It is available to assign the physical address and set the parameters by Engineering design tools ETS with .knxprod (higher than edition ETS5). Must ensure that the device operation, testing, detecting, maintenance correctly.

KNX Thermostat Lite,55mm should be installed approximately 120~140cm above the floor and 15~20cm from the door frame.

Device should not be installed near a radiator or behind curtains

Device must not be exposed to direct contact with liquids.

Device regulation will also be affected by exposure to heat from electrical appliances and direct sunlight on the Thermostat.

### IMPOFORMATION

Installation and commissioning of the device may only be carried out by trained electricians. The relevant standards, directives, regulations and instructions must be observed when planning and implementing the electrical installation.

•Protect the device against moisture, dirt and damage during transport, storage and operation!

•Do not operate the device outside the specified technical data (e.g. temperature range)!

Should the device become soiled, it may be cleaned with a dry cloth. If this does not suffice, a cloth lightly moistened with soap solution may be used. On no account should caustic agents or solvents be used.

## 欧标简易温控面板技术规格书

适用型号:

CHTL-02/00.x.0y

(x=1, 2; y=0, 1)

### 国际标准的家庭和楼宇控制系统

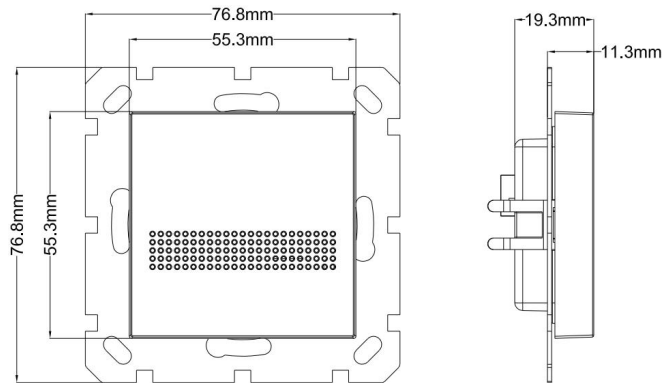
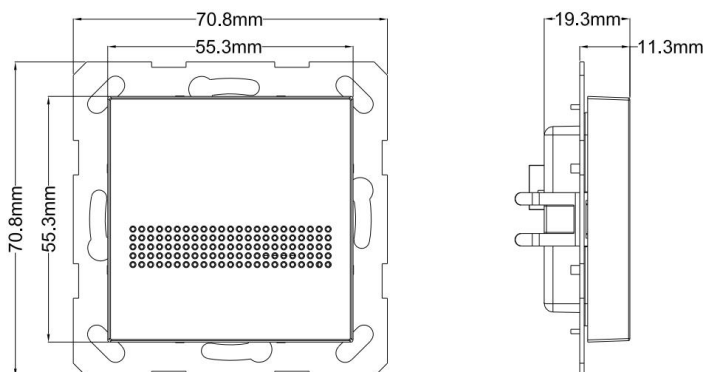
#### 产品功能

- 内置温/湿度传感器
- 具有控制模式：加热、制冷、加热和制冷，可配置 2 管制和 4 管制系统
- 支持 HVAC 操作模式：舒适、待机、节能、保护
- 温度逻辑算法支持 2 点式和 PI 控制
- 自动风速控制
- 2 路外部输入接口，可作为干接点检测（开关、场景、发送字符串）或 NTC 温度探测
- 符合欧洲 55mm-system 面板标准设计
- 支持 KNX 安全

#### 技术参数

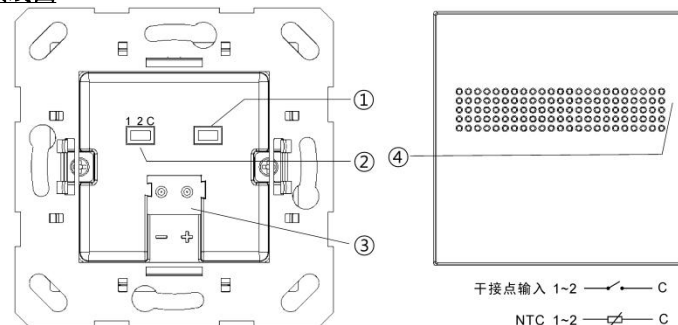
电 源	总线电压	21-30V DC, 由 KNX 总线提供
	总线电流	<6mA, 24V; <5.5mA, 30V
	总线功耗	<165mW
输 入 连 接	2 路外部输入，可作为干接点输入或 10K NTC 输入	
	KNX 输入	总线连接端子(红/黑) 1 个 3 位针座接线端子 拉线长度<5m
操作和指示	编程按键和红色 LED	分配物理地址，下载完后 LED 灭
温度范围	运行	-5 °C ... +45 °C
	存储	-25 °C ... +55 °C
	运输	-25 °C ... +70 °C
环 境	湿度	<93%, 结露除外
安 装	标准 80 盒或 86 盒墙装方式	

#### 尺寸规格



型号	尺寸	重量
CHTL-02/00.x.0y	70.8 x 70.8 x 19.3 mm (80 盒)	0.05kg
	76.8 x 76.8 x 19.3 mm (86 盒)	

#### 接线图



- ① 编程按键和 LED
- ② 输入连接端子
- ③ KNX 总线连接端子
- ④ 内置温/湿度传感器

#### 安装说明

欧标简易温控面板安装在标准的墙式 80 盒或 86 盒中，仅通过 KNX 总线供电，不需要提供额外辅助电源供电。物理地址的分配及参数的设定都可以使用带有 .knxprod 文件的工程设计工具软件 ETS (版本 ETS5 或以上)。安装时必须确保总线连接正常、设备工作正常。

建议欧标简易温控面板安装距地面大约 120~140cm 高度的位置和距门框水平距离 15~20cm 的位置。

面板不应安装靠近散热器或窗帘后面。

面板不允许安装在与液体直接接触的地方。

面板安装在发热器旁或直接暴露在阳光下会影响温度调节。

#### 重要提示

安装和调试设备只能由合格的熟练电工来操作。在计划与实施电气安装的过程中相关的标准、指令、规则和指示都要严格执行。

- 需要避免器件在运输、储存、使用的过程中受潮、脏污以及受损。
- 不要使器件运行在指定的技术指标之外 (例如温度范围)。

当设备脏污时，只可以使用干燥的布来清洁。如果这样不足以清洁干净，可以使用湿布蘸少许肥皂溶液轻轻擦拭。绝不能使用碱剂或者腐蚀性溶剂。