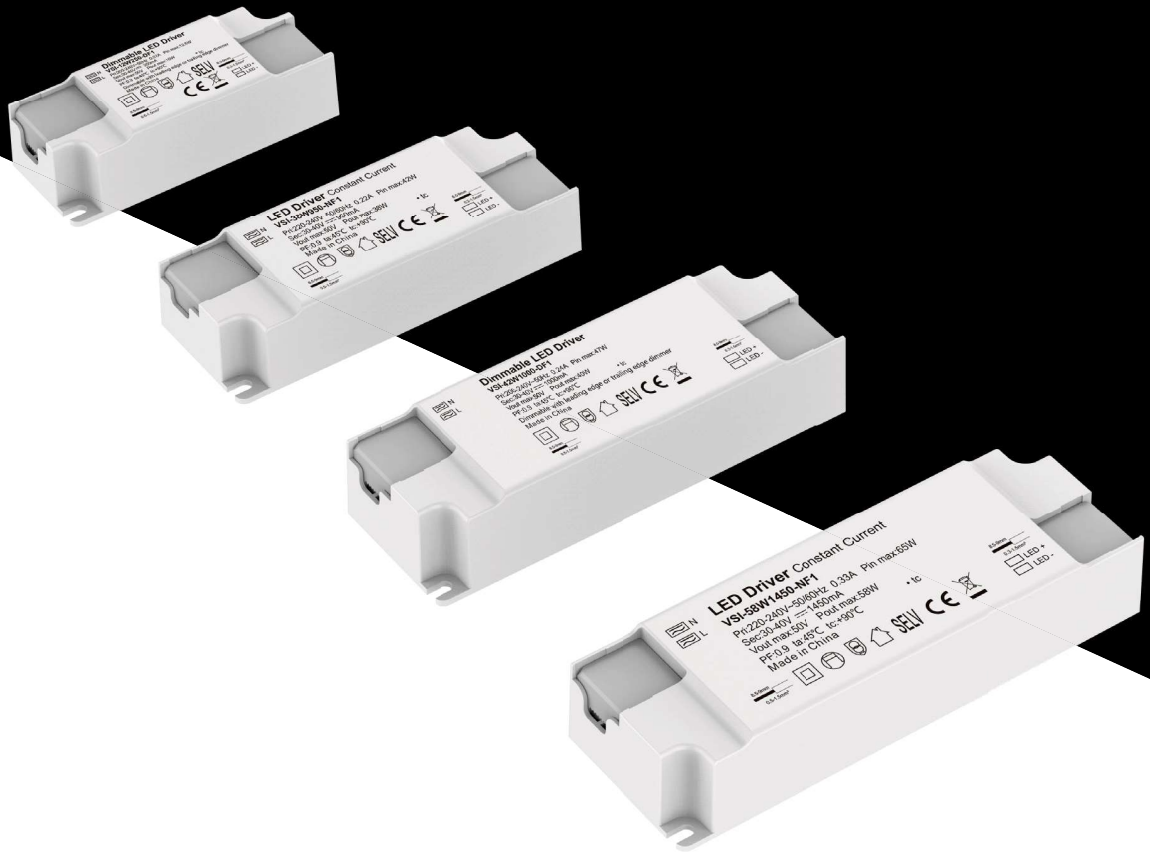


SPECIFICATION

# LED Driver

## V Series

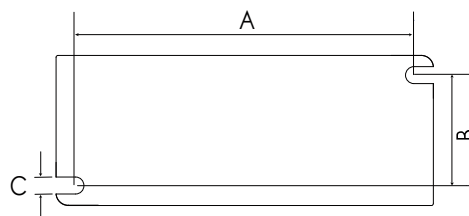
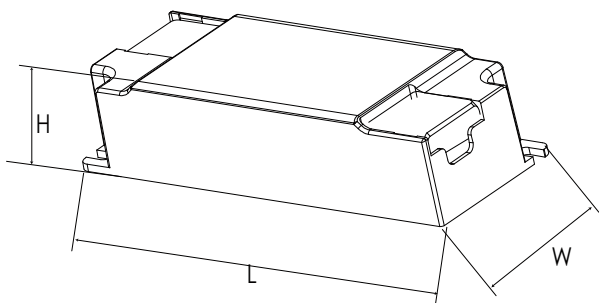


# TECHNICAL DATASHEET

## Driver Datasheet (Triac-dimmable)

Code		VSI-XXWXXX-DF1/DF2/ DF4	VSI-XXWXXX-DF1		
Input	Input Power	8-13W	13-25W	25-35W	35-45W
	Input Voltage	180-264V			
	Rated Input Voltage(V)	200-240V			
	Frequency	50Hz			
	Input Current	≤0.08A	≤0.14A	≤0.2A	≤0.25A
	Rated Input Current	≤0.07A	≤0.13A	≤0.18A	≤0.23 A
	Power Factor (typ)	0.9			
	Total Harmonic Distortion(THD)	<20% @230V			
	Efficiency (typ)	≥80%	≥83%	≥84%	≥84%
	Inrush Current (Typ.)	2.67A/76uS	2.18A/135uS	3.06A/224uS	4.64A/224uS
	Max Circuit Breaker	Please refer to" Circuit breaker Specification"			
	Leakage Current	<0.5mA/240V			
	No Load Wattage	<0.5w @230V			
Output	Output Voltage Range	30-40V			
	Rated Output Current	180-300mA	300-600mA	600-800mA	800-1050mA
	Line Regulation	±5%			
	Open Circuit Voltage (max)	50V			
	Setup time(note1)	500ms @230V			
	Flickering Index(IEEESTd 1789)	5%(LOW RISK)	4%(LOW RISK)	3%(LOW RISK)	
Protection	Short Circuit Protection	Constant current limiting, recovers automatically after fault condition is removed			
	Over Voltage Protection	Shut down o/p voltage			
	Over Temperature Protection	Shut down o/p voltage, recovers automatically after temperature goes down			
Safety & EMC	Safety Standards	IEC/EN61347-1, IEC/EN61347-2-13, IEC/EN62384 independent,GB19510.14,GB19510.1 approved			
	Withstand Voltage	I/P-O/P:3.75KVac, <5mA 60S			
	Isolation Resistance	I/P-O/P: 500VDC, ≥100M Ω			
	Surge	IEC/EN61000-4-5(L-N:0.5KV)		IEC/EN61000-4-5(L-N:1KV)	
	EMC Emission	IEC/EN55015, IEC/EN61000-3-2			
	EMC Immunity	IEC/EN61000-4-2,3,4,5,6,8,11; IEC/EN61547			
Other	Dimension	93*37*26mm(L*W*H)	118*44*26mm(L*W*H)	138*47*26mm(L*W*H)	153*52*30mm(L*W*H)
	Weight	0.105Kg	0.200Kg	0.235Kg	0.340Kg

## DIMENSION



Code	Dimension(mm)						Product Weight (Kg)		Package weight (Kg)		Carton Size(cm)	Qty/CTN
	L	W	H	A	B	C	N.W/PC	G.W/PC	N.W/CTN	G.W/CTN		
VSI-13W300-DF1 VSI-13W300-DF2 VSI-13W300-DF4	93	37	26	83.4	27.2	4.2	0.105	0.120	7.200	7.560	46x21.5x22.5	60
VSI-25W600-DF1	118	44	26	108.4	33.2	4.2	0.170	0.185	11.100	11.460	46x21.5x22.5	60
VSI-35W800-DF1	138	47	30	128.4	37.2	4.2	0.235	0.255	7.650	7.950	35.5x19.5x22.5	30
VSI-45W1050-DF1	153	52	30	143.4	42.2	4.2	0.340	0.360	10.800	11.100	35.5x19.5x22.5	30
VSI-15W350-NF1 VSI-15W350-NF1(G)	93	37	26	83.4	27.2	4.2	0.065	0.080	4.800	5.160	46x21.5x22.5	60
VSI-25W600-NF1 VSI-25W600-NF1(G)	93	37	26	83.4	27.2	4.2	0.070	0.085	5.100	5.460	46x21.5x22.5	60
VSI-40W1000-NF1 VSI-40W1000-NF1(G)	118	44	26	108.4	33.2	4.2	0.095	0.110	6.600	6.960	46x21.5x22.5	60
VSI-60W1500-NF1 VSI-60W1500-NF1(G)	138	47	30	128.4	37.2	4.2	0.150	0.170	5.100	5.400	35.5x19.5x22.5	30

## CIRCUIT BREAKER SPECIFICATION

Circuit Breaker Specification								
Code	B10	B13	B16	B20	C10	C13	C16	C20
	10	13	16	20	10	13	16	20
VSI-13W300-DF1 VSI-13W300-DF2 VSI-13W300-DF4	83	108	138	167	83	108	183	167
VSI-25W600-DF1	48	62	76	95	48	5	76	95
VSI-35W800-DF1	33	43	53	67	33	43	53	67
VSI-45W1050-DF1	27	35	43	53	27	35	43	53
VSI-15W350-NF1 VSI-15W350-NF1(G)	50	65	79	99	82	108	132	166
VSI-25W600-NF1 VSI-25W600-NF1(G)	23	29	36	45	38	49	60	75
VSI-40W1000-NF1 VSI-40W1000-NF1(G)	10	13	16	20	17	21	26	33
VSI-60W1500-NF1 VSI-60W1500-NF1(G)	5	6	8	10	8	10	13	16

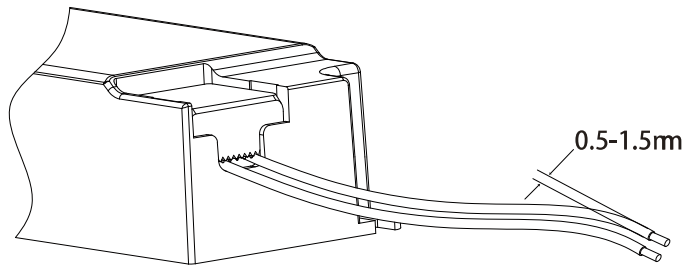
# CIRCUIT DIAGRAM

## No-load operation

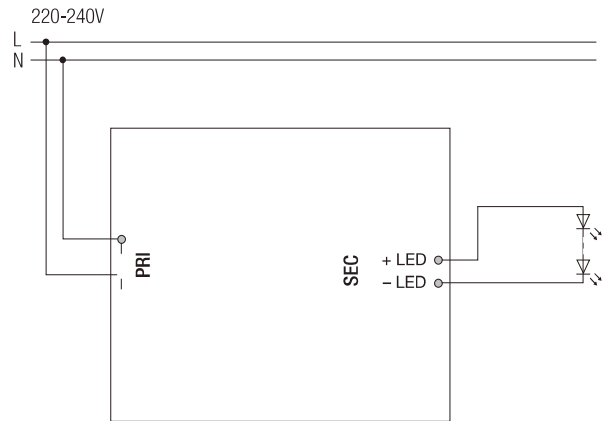
In case of open circuit, protection will be activated, there will be 50V output voltage.

## Glow wire test

According to EN 61347-1 with increased temperature of 960°C passed.



## Non-dimmable Circuit Diagram



## Dimmable Circuit Diagram

