

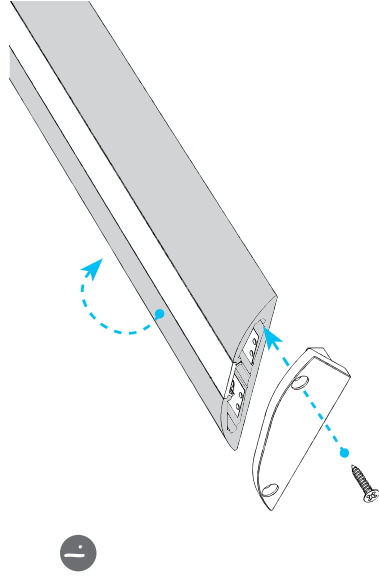
LUMINES[®]
LIGHTING

NAME	TYPE
PROFILE RETO	SURFACE FURNITURE
APPLICATION	
PROFILE WITH THE POSSIBILITY OF ADJUSTING THE ANGLE OF ILLUMINATION, WHEN USING VARIOUS END CAPS. FOR USE IN KITCHENS AND HOUSEHOLD ROOMS	

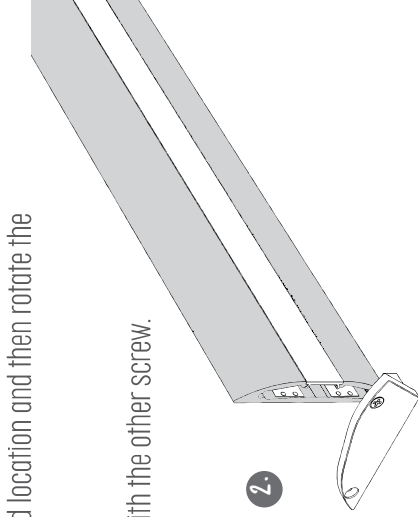


Assembly instructions for caps with support on the example of RETO profile.

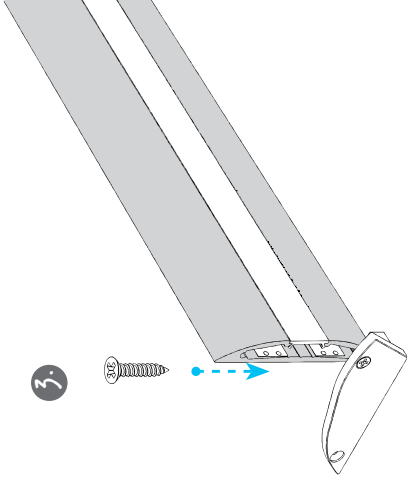
- 1-2. Position the cap with the "15-degree support" and the RETO profile as shown in the drawing. Screw both elements together using single screw at the indicated location and then rotate the profile as shown in figure 2.
3. Fix the cap to the ground using the hole on the inside.
- 4-6. Rotate the profile and complete the attachment of the cap with the other screw.



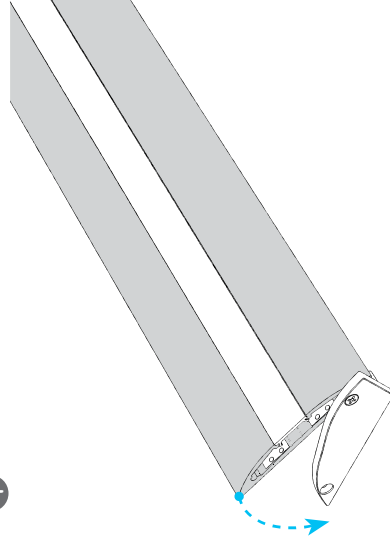
2.



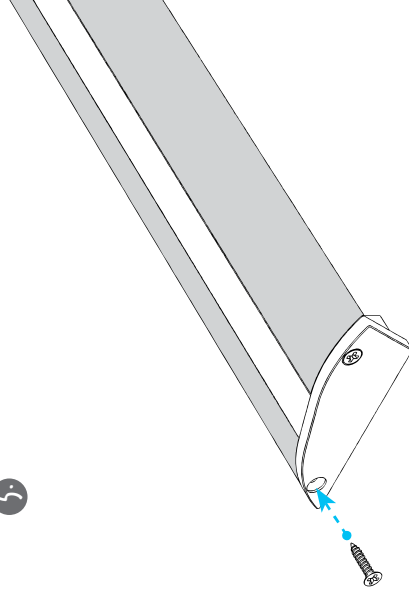
3.



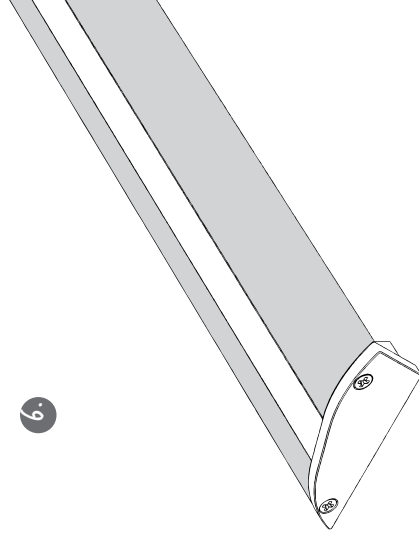
4.



5.



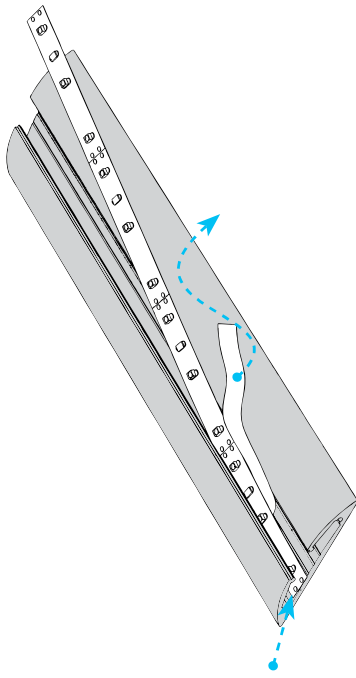
6.



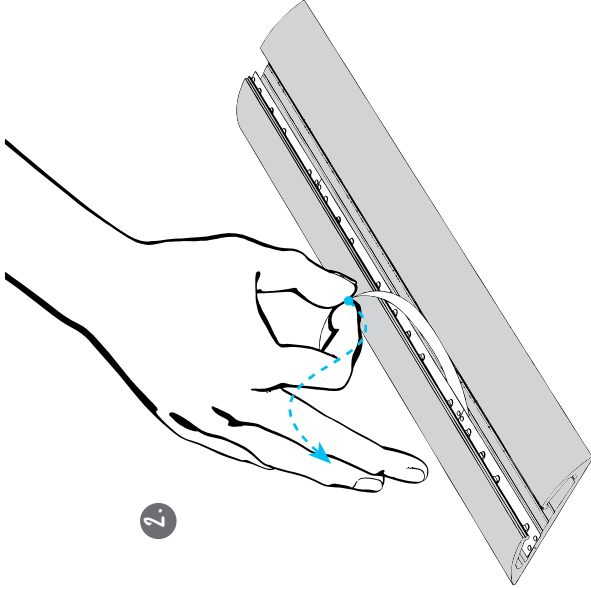
**Instructions for mounting the LED strip inside the RETO profile.**

1. Peel off a piece (about 1 cm) of protection from the double-sided mounting tape on the LED strip. Glue the uncovered piece of tape under the edge of the profile and insert the rest of the tape with the protection left in place. Entirely under the edge of the profile.
- 2-3. Peel off short sections of the protective tape while pressing the LED tape against the profile.

1.



2.



3.

