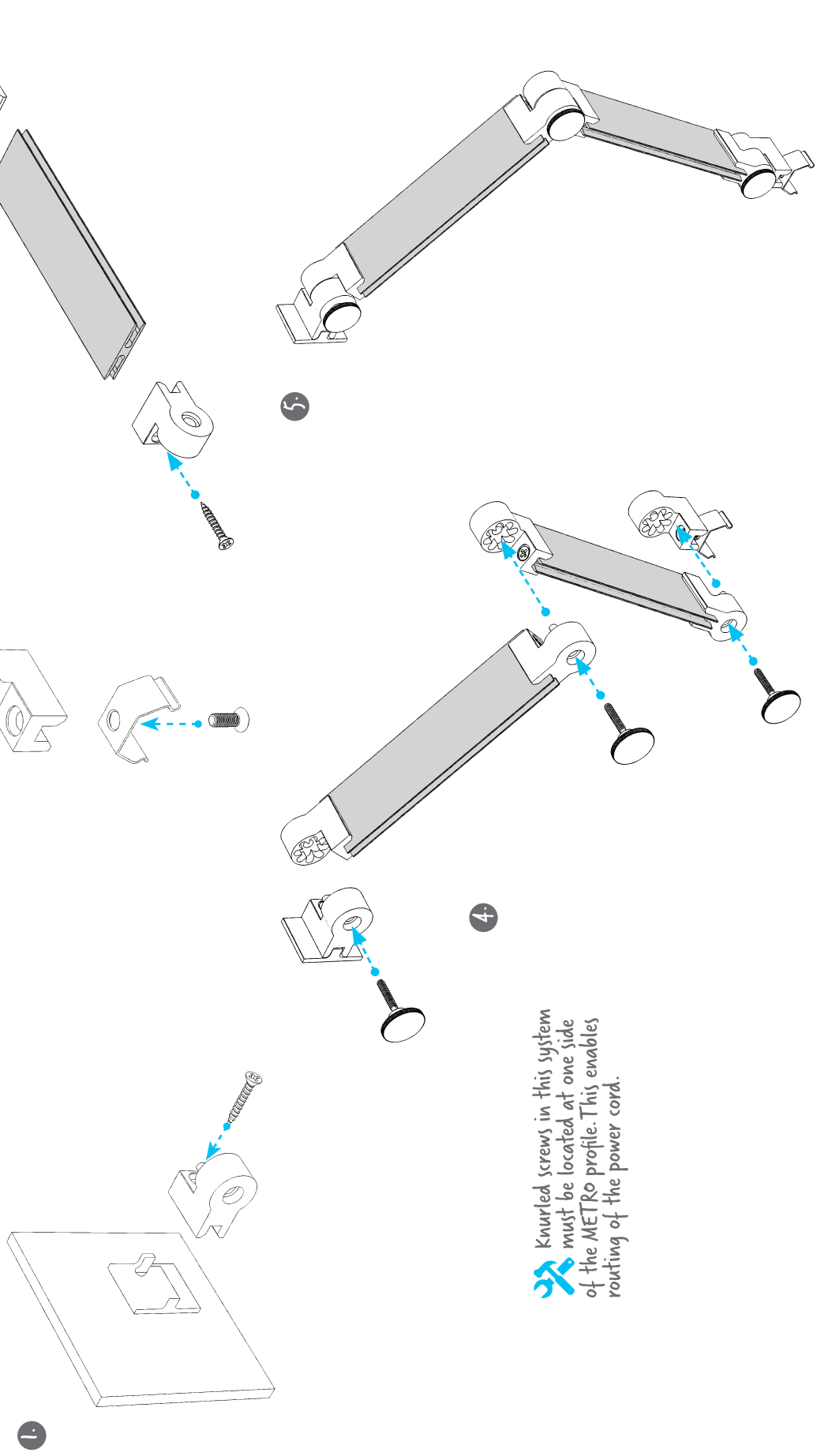



LUMINES[®]
LIGHTING

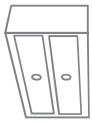
NAME	TYPE
PROFILE MICO	ROUND FURNITURE
APPLICATION	
FOR SPOT DECORATIVE ILLUMINATION OF PAINTINGS, SHOP WINDOWS, EXHIBITIONS	

Assembly of the articulated system using MICO round profile and METRO support profile.

1. Place the base on the wall, then place the male joint in its protrusion and twist the two elements together.
2. Use a screw to fix the mounting bracket to the MICO profile with female hinge.
3. Connect the METRO profile and the two joints together.
- 4-5. Join the system components together using knurled screws.

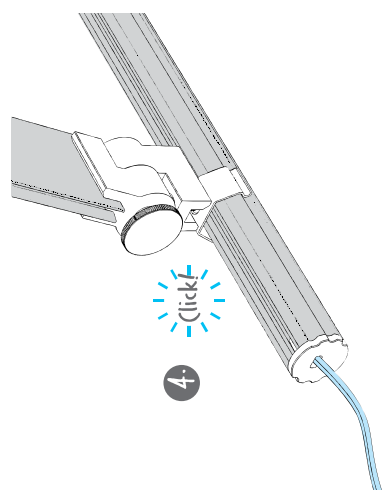
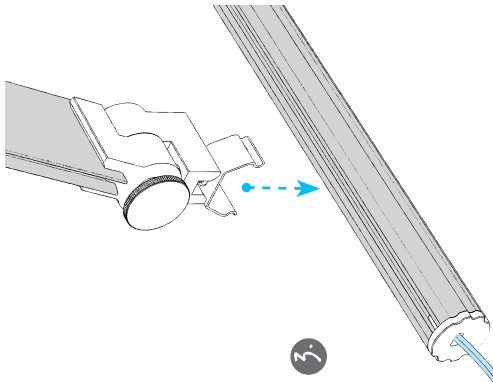
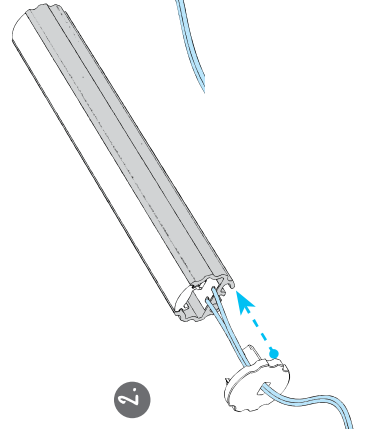
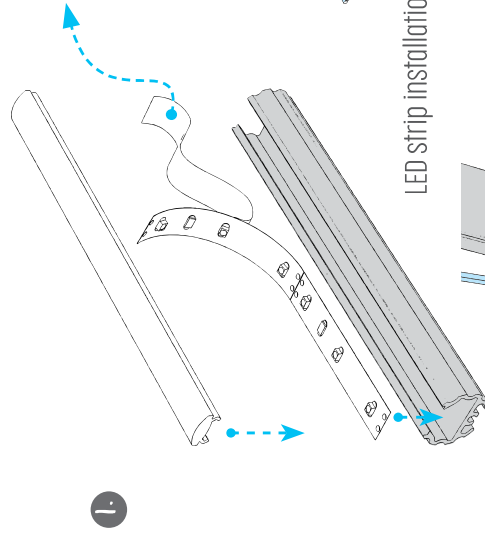


 Knurled screws in this system must be located at one side of the METRO profile. This enables routing of the power cord.

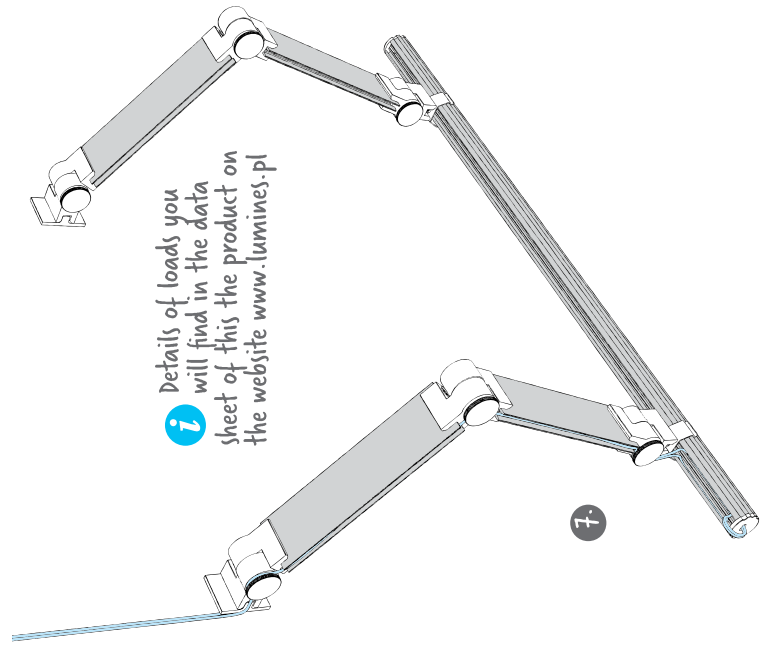
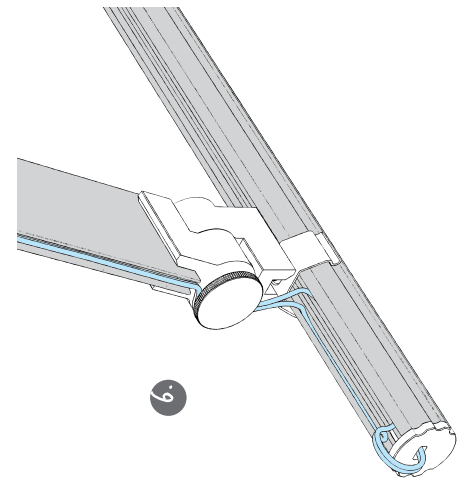
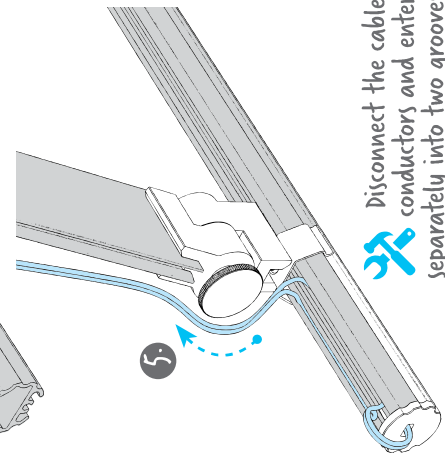


Assembly of the articulated system using MICO round profile and METRO support profile.

1. Mount the LED strip in the profile.
2. Route the supply lines through the hole in the end cap.
- 3-4. Install the profile in the brackets of the articulated system until the profile is locked
- 5-6. Route the supply lines through the profile groove, then around the knurled screws, and then in the METRO profile groove.
7. Route the power cord through the subsequent joints of the METRO system similarly as in the points of 5-6.



LED strip installation - page 8.



Details of loads you will find in the data sheet of this the product on the website www.lumines.pl

Disconnect the cable into two conductors and enter each separately into two grooves. Thanks to this, the cable is not visible.