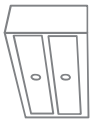


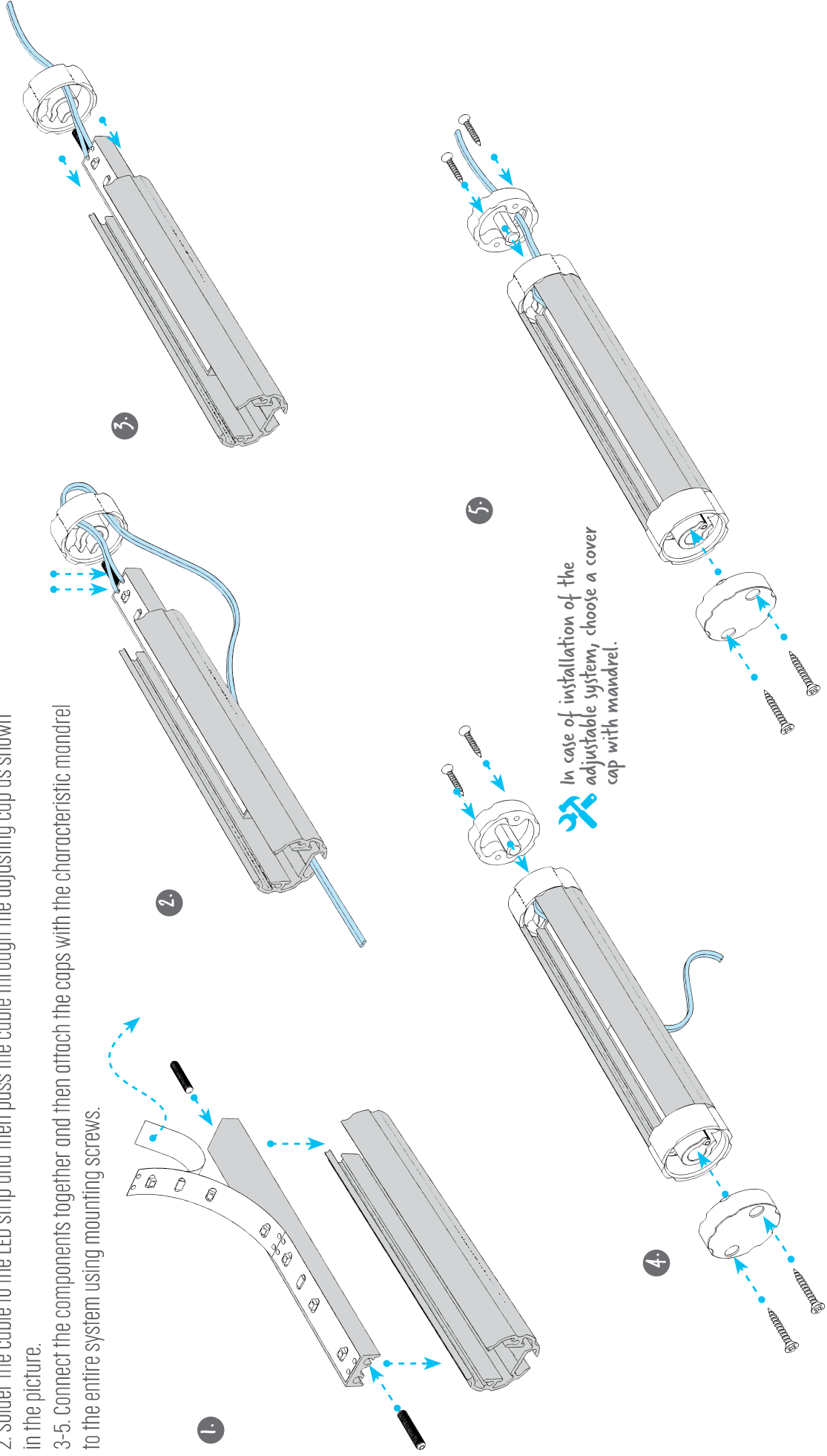
LUMINES[®]
LIGHTING

NAME	TYPE
PROFILE COSMO	ROUND/ADJUSTABLE FURNITURE
APPLICATION	
FOR LIGHTING THE INTERIOR OF CABINETS, REPLACING THE BASIC CONSTRUCTION OF THE TRAIL. FOR DECORATIVE AND SPOT LIGHTING	

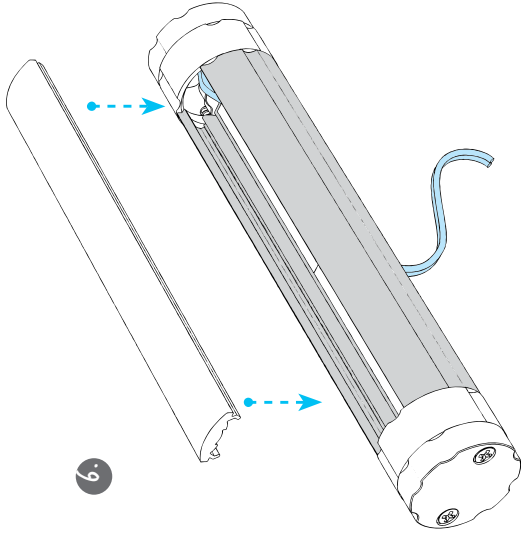


Mounting of the COSMO profile together with the system adjusting the height of the LED strip.

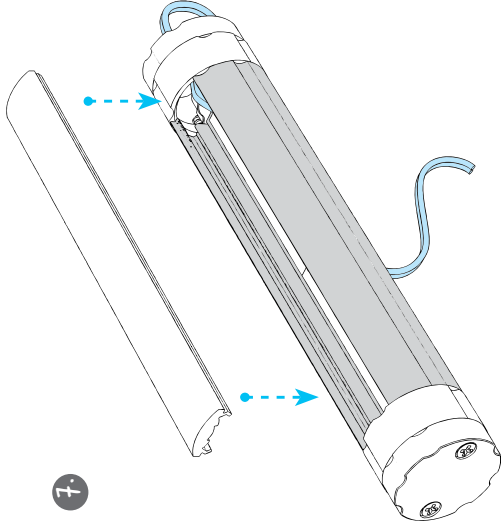
1. Glue the LED strip to the COSMO MI mounting profile and put on the "adjustment pins".
2. Solder the cable to the LED strip and then pass the cable through the adjusting cap as shown in the picture.
- 3-5. Connect the components together and then attach the caps with the characteristic mandrel to the entire system using mounting screws.



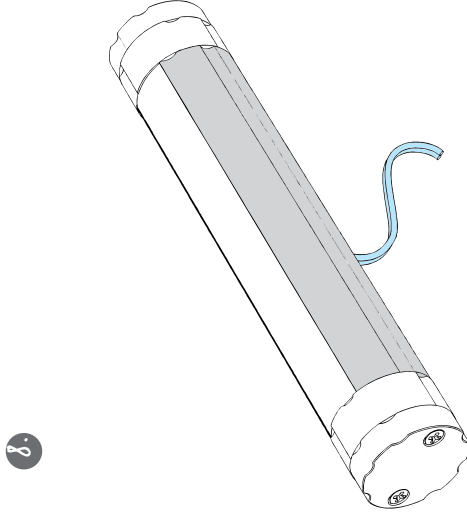
- 6-8. Attach the cover to the COSMO profile.
- 9. Adjust the position of the COSMO MI profile inside the COSMO profile with movable caps.




6.




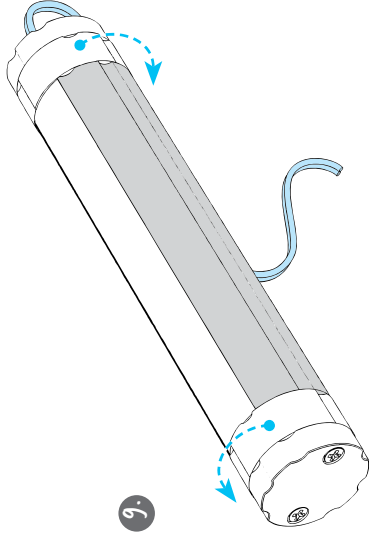
7.



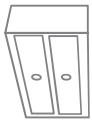
8.

 Remember about the right position of supply lines.

 After setting the angle of illumination, we can tighten the fastening screws of plugs to lock the position of the COSMO MI profile.

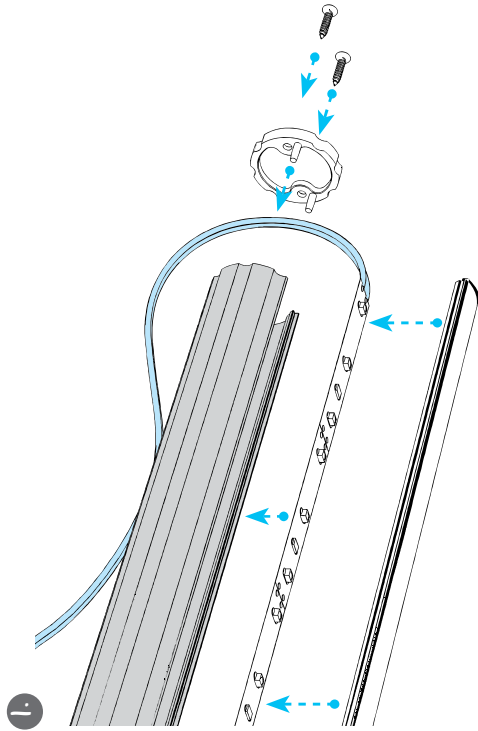


9.

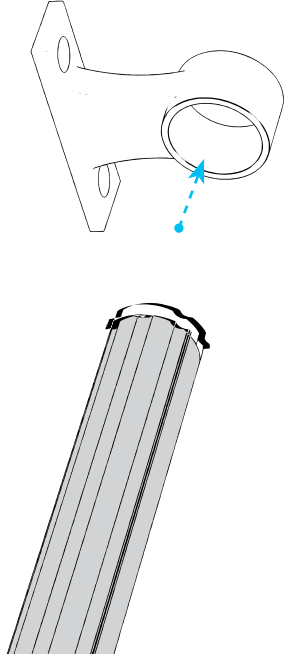


Suggestions for the use of COSMO round profile in 3 assembly versions.

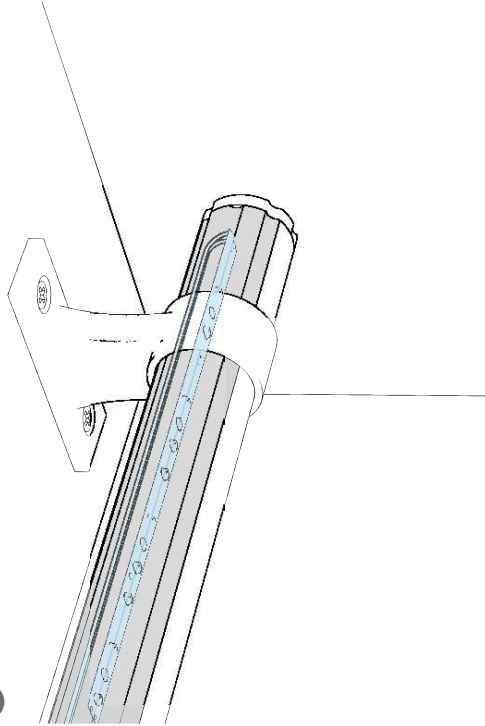
1-4. Mounting the COSMO profile with a through-hole rosette.



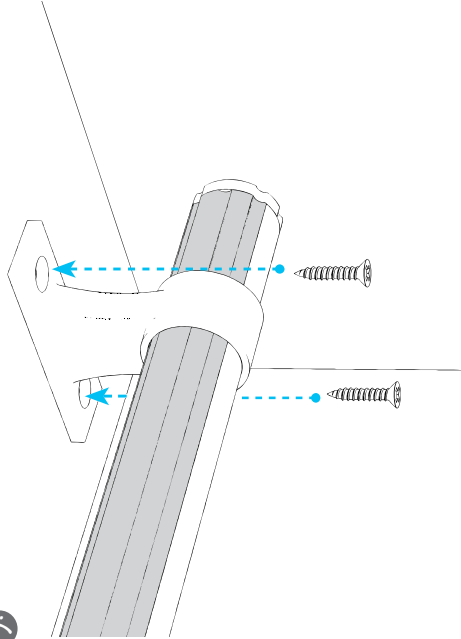
2.



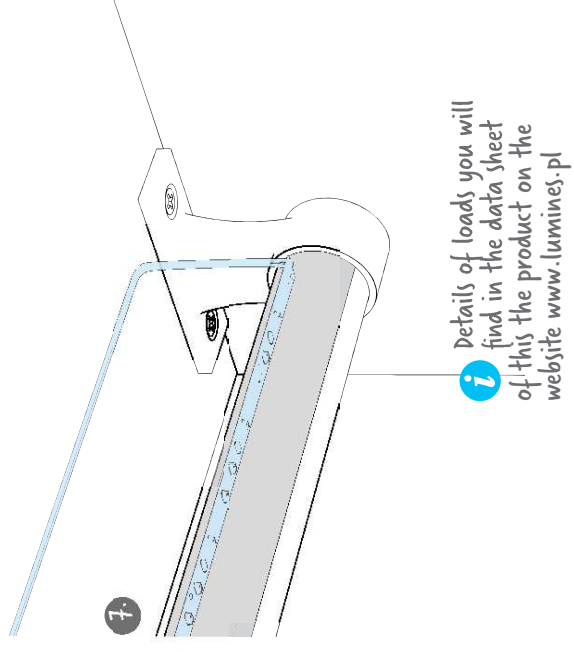
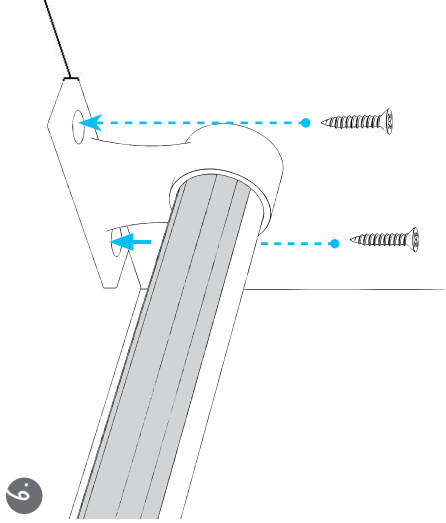
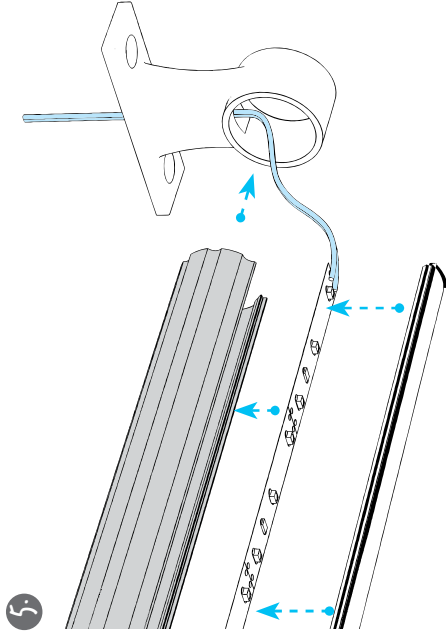
4.



3.



5-7. Mounting the COSMO profile with a full rosette.
8-10. Mounting the COSMO profile with a flange.



i Details of loads you will find in the data sheet of this the product on the website www.lumines.pl

