

BMS DALI-2 - Multisensoren

PD2N-BMS DALI-2



white, similar to RAL9010 ,white, similar to RAL9010 ,
Art.-Nr.: 93543 Art.-Nr.: 93544

Product Information

- DALI-2 multisensor (input device)
- DALI-2 certified product
- Powered via DALI bus
- Bright LED indication for commissioning
- DALI multimaster technology according to IEC 62386 part 103
- Instance 0 provides information regarding occupancy and movement for the DALI-Bus according to IEC 62386 part 303
- Instance 1 provides LUX values for the DALI-Bus according to IEC 62386 part 304
- Parameterisation is possible via mandatory Multimaster-Application-Controller of any manufacturer. This controller must support IEC 62386 parts 101/103/303/304.
- Mixed light measurement with internal and external light sensor
- Detection area can be restricted with blinds
- Individual adaption of the PIR sensor sensitivity
- Status LEDs can be activated / deactivated
- **Application examples:**
offices, schools, nursery schools, hospitals, conference rooms

Technical Data

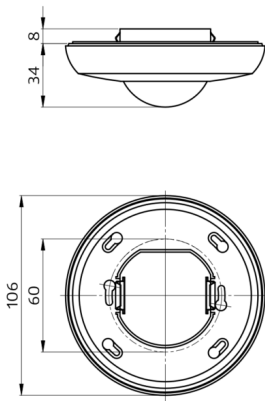
Voltage:	via DALI Bus, max. 22,5 V DC
Dimensions:	FC= Ø 83 x 55 mm FM= Ø 106 x 42 mm
Settings:	via DALI-Bus and application which supports DALI multisensors according to IEC62386, parts 101, 103, 303 and 304
typ. power input:	7 mA
Detection area:	horizontal 360° (Ceiling mounting)
Range:	max. Ø 10 m across max. Ø 6 m towards max. Ø 4 m seated
Monitored area (tangential movement):	78 m ² / 2,5 m mounting height
Mounting height min./max./recommended:	2 m / 5 m / 2,5 m
Degree / class of protection:	FC= IP20 / Class II FM= IP20 / Class II
Measured light output:	0 - 4095 Lux, Mixed light measuring
Ambient temperature:	-25 °C to +55 °C
Housing:	polycarbonate, UV-resistant

Description

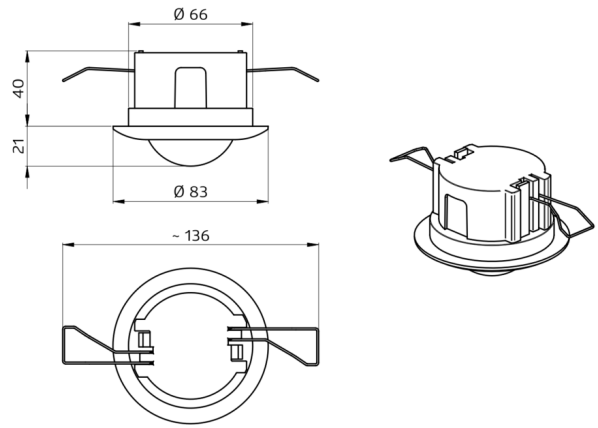
Description	Colour	Part number	EAN number
PD2N-BMS-FC DALI-2	white, similar to RAL9010	93543	4007529935437
PD2N-BMS-FM DALI-2	white, similar to RAL9010	93544	4007529935444

Accessory

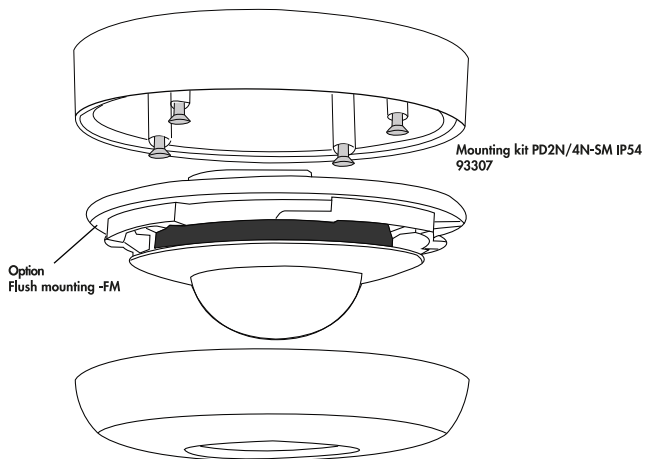
Description	Colour	Part number	EAN number
Wire basket BSK (Ø 200 x 90 mm)	white	92199	4007529921997
SM socle mounting set IP54 PD2N- / PD4N-FM	white	93307	4007529933075



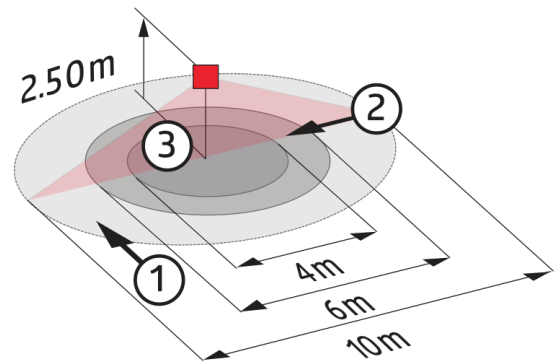
Dimensions 93544



Dimensions 93543




Surface-mount version (SM)



Range diagram

- 1: Walking across
- 2: Walking towards
- 3: Seated activity

 Wiring diagrams



© 2021 B.E.G. Brück Electronic GmbH