

BMS DALI-2 - Multisensoren

PD11-BMS-FLAT DALI-2



white mat, similar to
RAL9010 , Art.-Nr.: 93542

Product Information

Product may not be available in all countries

- Low profile DALI-2 multisensor (input device) having a visible height of only 0.85 mm
- DALI-2 certified product
- Powered via DALI bus
- DALI multimaster technology according to IEC 62386 part 103
- Instance 0 provides information regarding occupancy and movement for the DALI-Bus according to IEC 62386 part 303
- Instance 1 provides LUX values for the DALI-Bus according to IEC 62386 part 304
- Parameterisation is possible via mandatory Multimaster-Application-Controller of any manufacturer. This controller must support IEC 62386 parts 101/103/303/304.
- Spring clips for quick and easy installation in suspended ceilings
- Includes blinds and clamp ring for installation into light fittings
- With accessories for flush-mounting in ceiling and exposed concrete
- Individual adaption of the PIR sensor sensitivity
- Status LEDs can be activated / deactivated
- **Application examples:**
offices, schools, nursery schools, hospitals, conference rooms

Technical Data

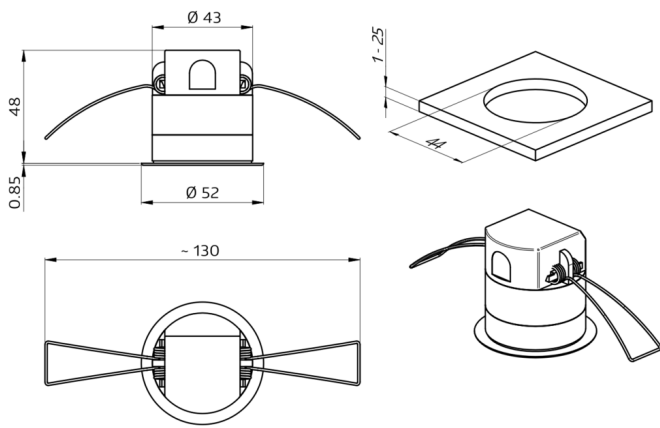
Voltage:	via DALI Bus, max. 22,5 V DC
Dimensions:	Ø 52 x 48 mm
Settings:	via DALI-Bus and application which supports DALI multisensors according to IEC62386, parts 101, 103, 303 and 304
typ. power input:	7 mA
Detection area:	horizontal 360° (Ceiling mounting)
Range:	max. Ø 9 m across max. Ø 6 m towards max. Ø 3 m seated
Monitored area (tangential movement):	63 m ² / 2,5 m mounting height
Mounting height min./max./recommended:	2 m / 5 m / 2,5 m
Degree / class of protection:	IP20 / Class II
Measured light output:	0 - 4095 Lux, Mixed light measuring
Ambient temperature:	-25 °C to +50 °C
Housing:	polycarbonate, UV-resistant

Description

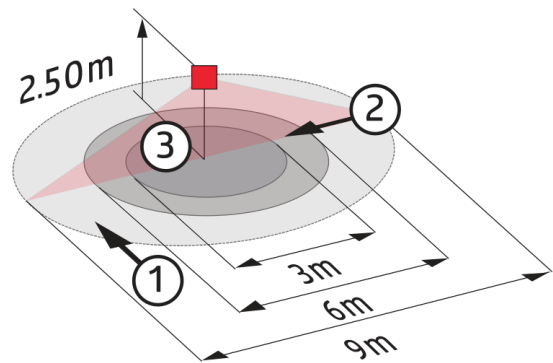
Description	Colour	Part number	EAN number
PD11-BMS-FLAT-FC DALI-2	white mat, similar to RAL9010	93542	4007529935420

Accessory

Description	Colour	Part number	EAN number
In-wall mounting set / PD11	white	92833	4007529928330
Cover ring PD11 Ø 52 mm	black glossy, similar to RAL9011	92537	4007529925377
Cover ring PD11 Ø 100 mm	white mat, similar to RAL9010	92692	4007529926923
Square design frame PD11-FC	white mat, similar to RAL9010	92994	4007529929948



Dimensions 93542



Range diagram

- 1: Walking across
- 2: Walking towards
- 3: Seated activity



Wiring diagrams

