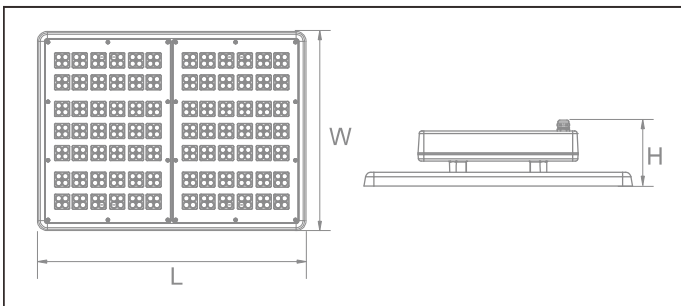


160LM/W

Features

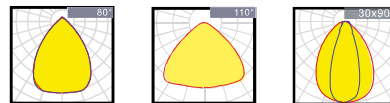
Housing: Pure Aluminum
 Thermal Conductivity: 226 W/m·K
 Led: CREE JK 3030
 CRI: Ra>70 (80/90 for option)
 SDCM: <6
 Power Factor: >0.95
 THD: <15
 Driver: Meanwell ELG
 Driver Efficiency: >93%
 Protection: OTP, OCP, OVP, SCP
 Surge Protection: 6KV
 Waterproof: IP65
 Impact Test: IK10
 Electrical: 100-277V, 50/60Hz
 Operating Temperature: -40~50°C
 Tm21: L90B10>50,000H
 Lifetime: 50,000H



Functions

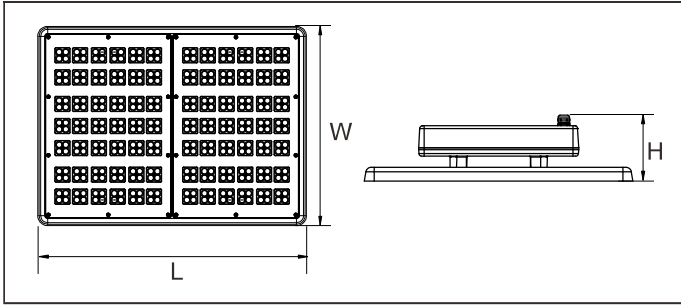
ZigBee · PWM · DALI · 0/1~10V · Micro-wave

Optical options:



Model	Watt	Voltage	Lumen	CRI	IP	Dimension
HB060ME2I-CM	60W	100~277V	9600LM	>70(80)	IP65	L362*W257*H120MM
HB100ME2I-CM	100W	100~277V	16000LM	>70(80)	IP65	L362*W257*H120MM
HB120ME2I-CM	120W	100~277V	19200LM	>70(80)	IP65	L415*W310*H120MM
HB150ME4I-CM	150W	100~277V	24000LM	>70(80)	IP65	L487*W362*H120MM
HB200ME4I-CM	200W	100~277V	32000LM	>70(80)	IP65	L487*W362*H120MM
HB300ME6I-CM	300W	100~277V	48000LM	>70(80)	IP65	L720*W365*H130MM

Packing



Model	L*W*H (mm)	Outer Carton(mm)			QTY / Outer CTN	NW/CTN	GW/CTN
HB060ME2I	362*257*120	465	335	185	1	4.1	4.5
HB100ME2I	362*257*120	465	335	185	1	4.1	4.5
HB120ME2I	415*310*120	510	400	185	1	4.4	5.0
HB150ME4I	487*362*120	550	420	185	1	6.2	6.5
HB200ME4I	487*362*120	550	420	185	1	6.2	6.5
HB300ME6I	720*365*130	820	445	195	1	7.5	8.7
HB360ME6I	720*365*130	820	445	195	1	7.5	8.7