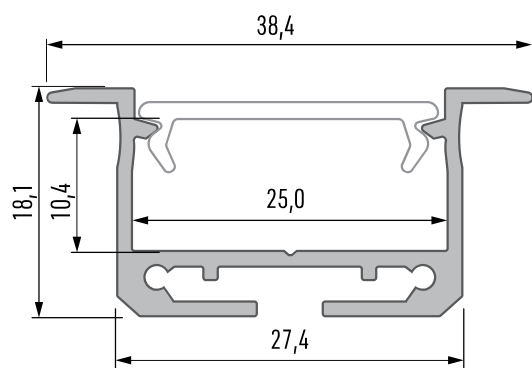
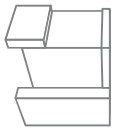


NAME	TYPE
PROFILE inDILEDA	ARCHITECTURAL RECESSED
APPLICATION	
FOR THE ASSEMBLY OF LIGHTING WITH THE USE OF TWO TAPES. FOR THE APPLICATION IN OFFICES AND INDUSTRIAL BUILDINGS	

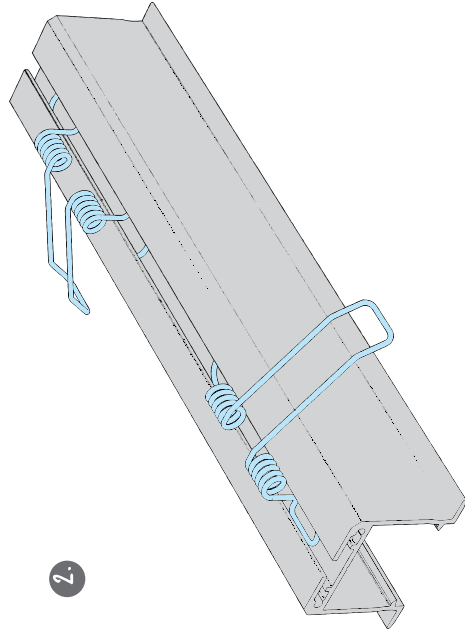
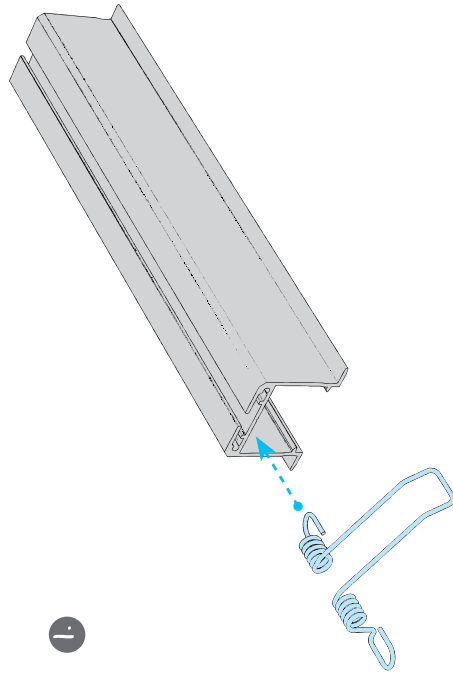


NAME	TYPE
PROFILE inSILEDA	ARCHITECTURAL RECESSED
APPLICATION	
FOR USE IN CEILINGS AND WALL IN MILLED OPEN	

**Mounting of assembly springs in the inDILEDA profile.**

1. Insert the springs into the gap at the top of the inverted profile.
2. Position the springs alternately to each other.

i Place 6 springs per metre to ensure the best profile fixing.



i Slide the springs carefully, taking care not to scratch the profile.

For more information on installing springs  page 65.