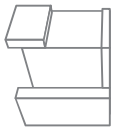
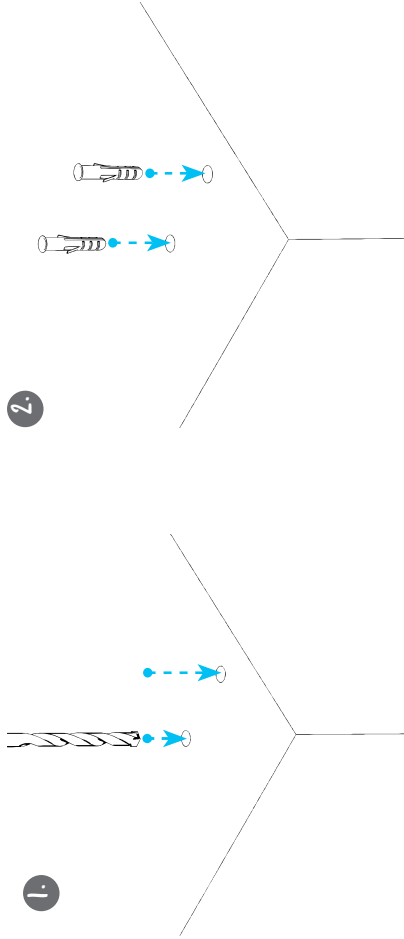


**LUMINES**<sup>®</sup>  
L I G H T I N G

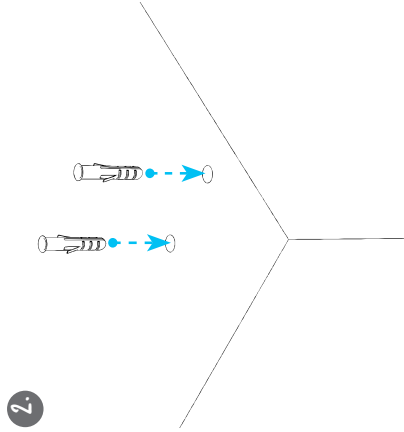
|   |                     |
|---|---------------------|
| <b>NAME</b>   | <b>TYPE</b>         |
| PROFILE SCALA   | ARCHITECTURAL STAIR |
| <b>APPLICATION</b>  |                     |
| STAIR PROFILE WITH INTEGRATED ANTI-SLIP ROPE - FOR LIGHTING STAIRS IN PUBLIC SPACES |                     |



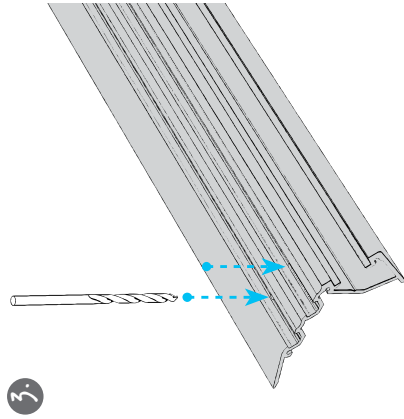
Installation of the SCALA architectural profile on the staircase step.



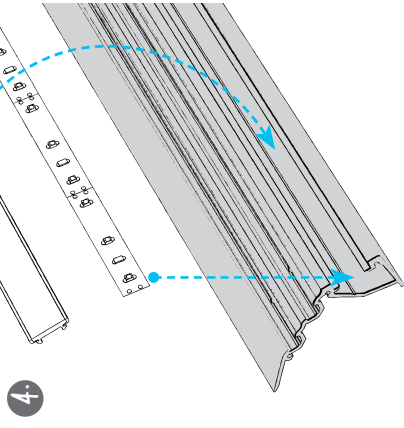
1. Drill two holes intended for mounting the SCALA profile.



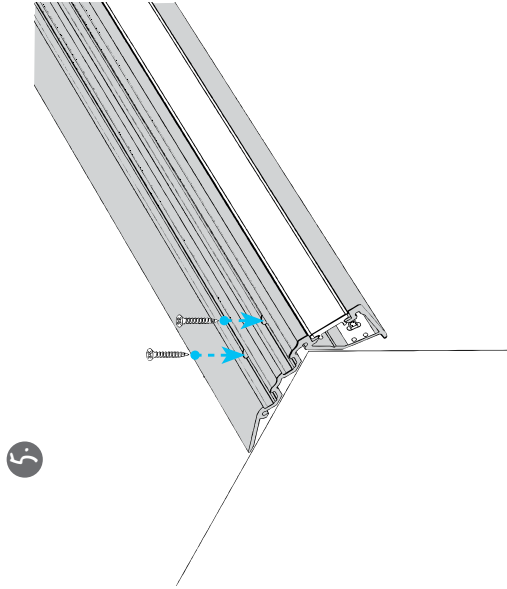
2. Fix the expansion bolts in the drilled holes.



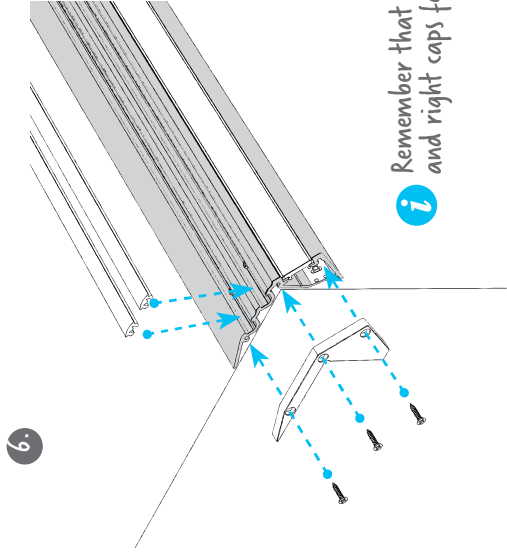
3. Drill holes in the profile.



4. Glue the LED strip to the profile and install the cover.

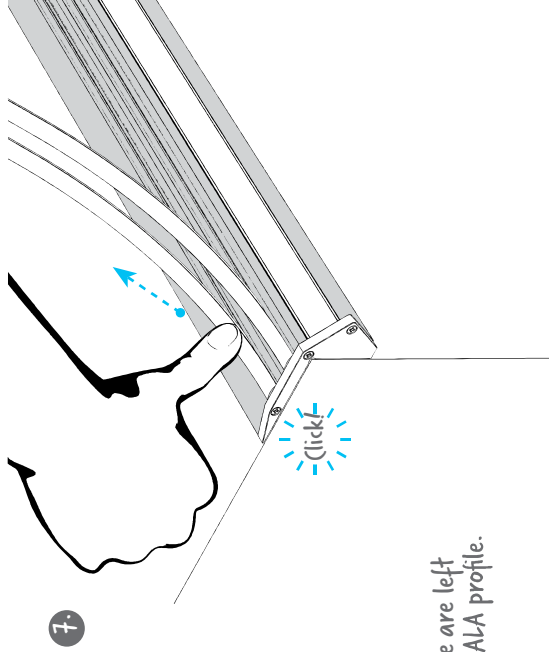


5.



6.

Remember that there are left and right caps for SCALA profile.



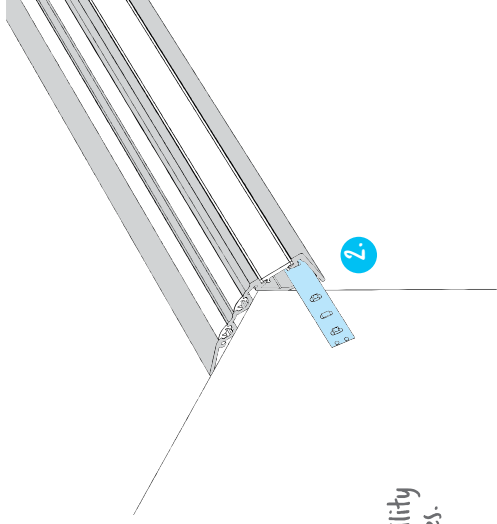
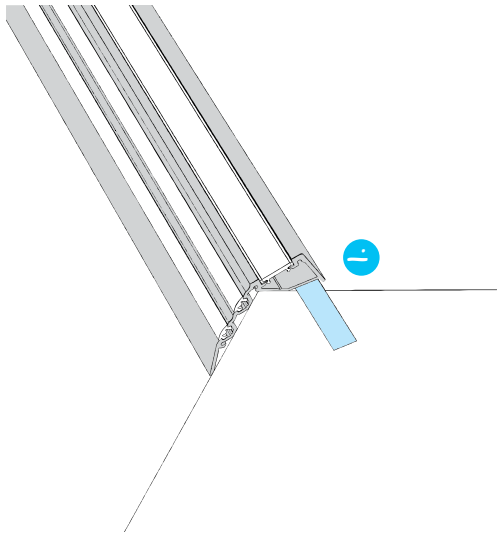
7.

5. Fix the profile to the substrate with two screws.

6. Fix the cap to the profile with screws.

7. At the last step, fix the non-slip ropes in the grooves.

Alternative mounting locations for LED strips in the SCALA profile.



**i** The SCALA profile gives the possibility of mounting LED strips in 4 places.

