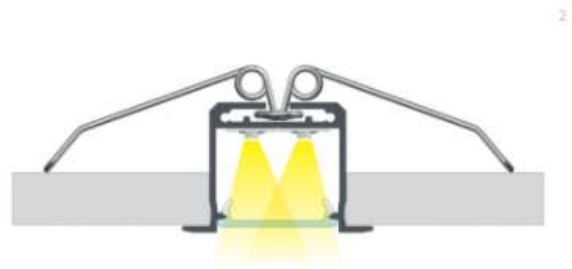
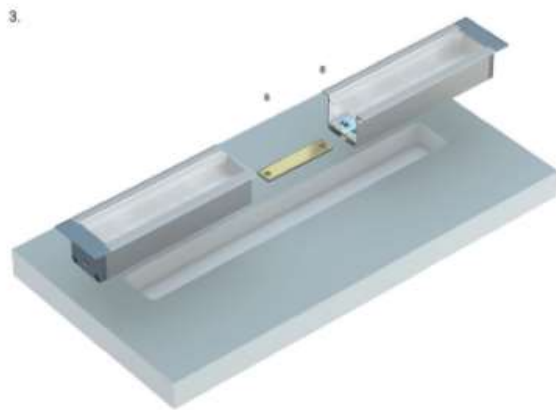


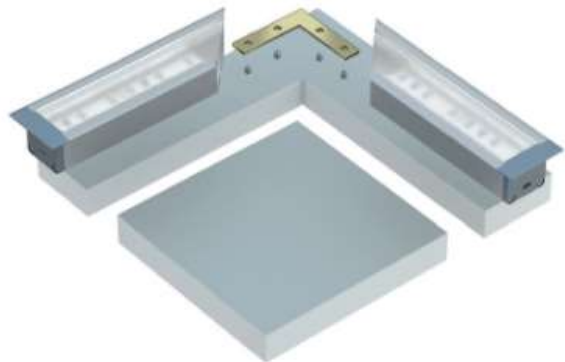
Instruction of the assembly of profile inDILEDA with DOUBLE cover in the ceiling using mounting springs



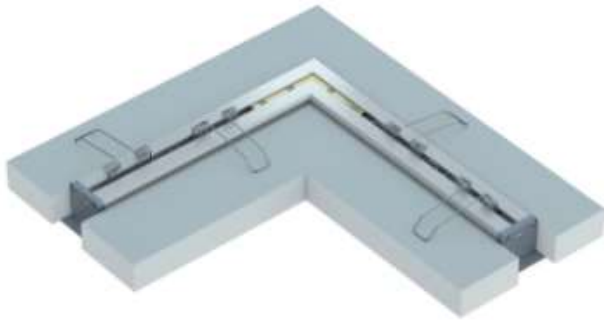
End result of the assembly of profile inDILEDA with DOUBLE cover in the ceiling using mounting springs



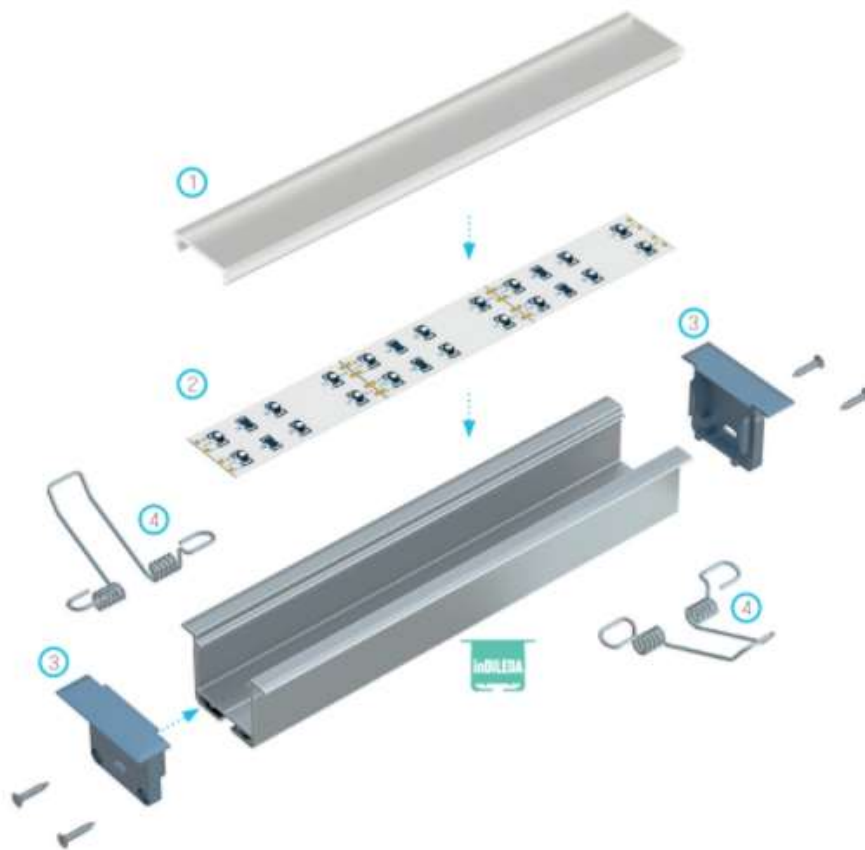
Connecting inDILEDA profiles using straight connector in a milled groove



Connecting inDILEDA profiles using angular connector in a milled groove



End result of the assembly of inDILEDA profiles using the angular connector and mounting springs



Assembly scheme for elements of the lighting system using profile inDILEDA and (1) DOUBLE cover (2) LED strips, (3) end caps with hole and (4) mounting springs