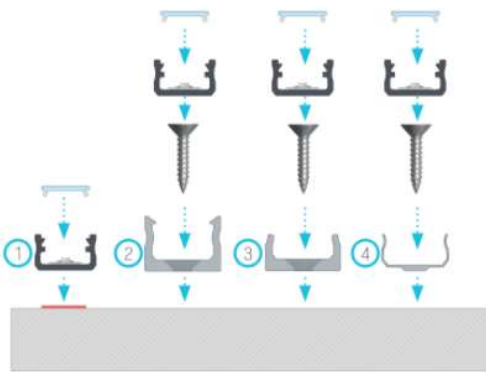


A INSTALLATION DIAGRAMS

1



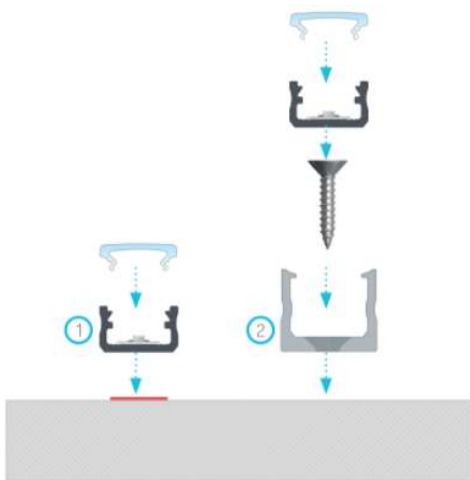
Installation manual for A profile with BASIC cover, (1) with double-sided tape, (2) with a mounting clip for A, (3) with A MINI mounting clip, (4) with metal mounting clip A

2



The result of installation of profile A with BASIC cover, (1) with double-sided tape, (2) with a mounting clip for A, (3) with A MINI mounting clip, (4) with metal mounting clip for A

3



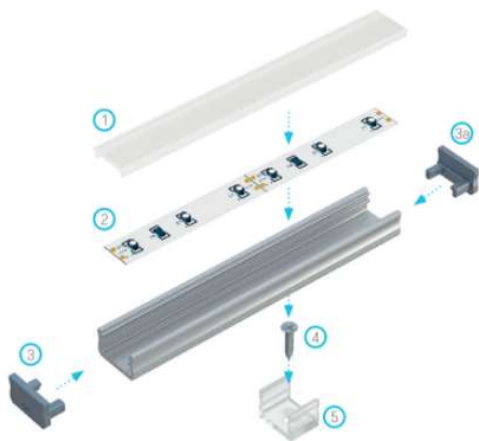
Installation manual for A profile with HIGH cover, (1) with double-sided tape (2) with a mounting clip for A

fig. 4



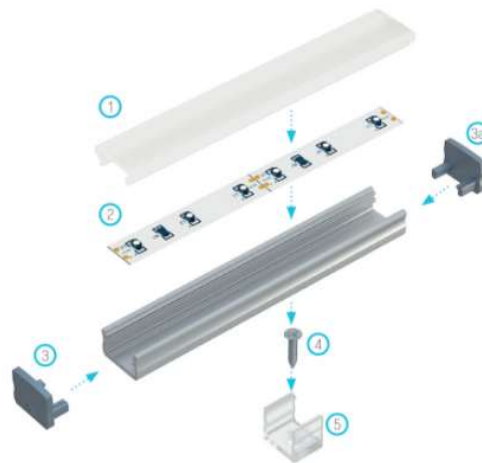
The result of installation of profile A with HIGH cover, (1) with double-sided tape (2) with a mounting clip for A

7



Assembly scheme for elements of the lighting system using a profile A and (1) a BASIC cover, (2) a LED strip, (3) an end cap with hole, (3a) an end cap without hole, (4) a mounting screw, (5) a MINI mounting clip for profile A

8



Assembly scheme for elements of the lighting system using a profile A and (1) a HIGH cover, (2) a LED strip, (3) an end cap with hole, (3a) an end cap without hole, (4) a mounting screw, (5) a mounting clip High for profile A