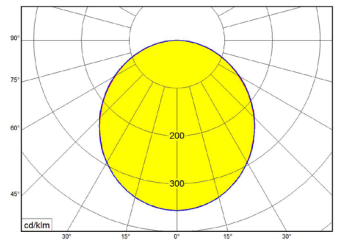




GEOTM

η_{ef} (lm/W)
110-130



GEO SO

Interior LED luminaire

Body:
aluminium profile available in many colors

Optic:
SO - SATINE opal PMMA cover
KO - opal PS cover

Installation:
GEO – fitting for surface installation
GEO...Z – fitting for pendant installation

Accessories:
ZH/UNI4 – universal 4-point suspension set
ZH/UNI2 – universal 2-point suspension set
ZHG – metal ceiling box (cover of a terminal) with white power cable (2m)
– identical for all shapes of GEO
(ZHG - for non-dim fittings
ZHG5 - for dimmable fittings)

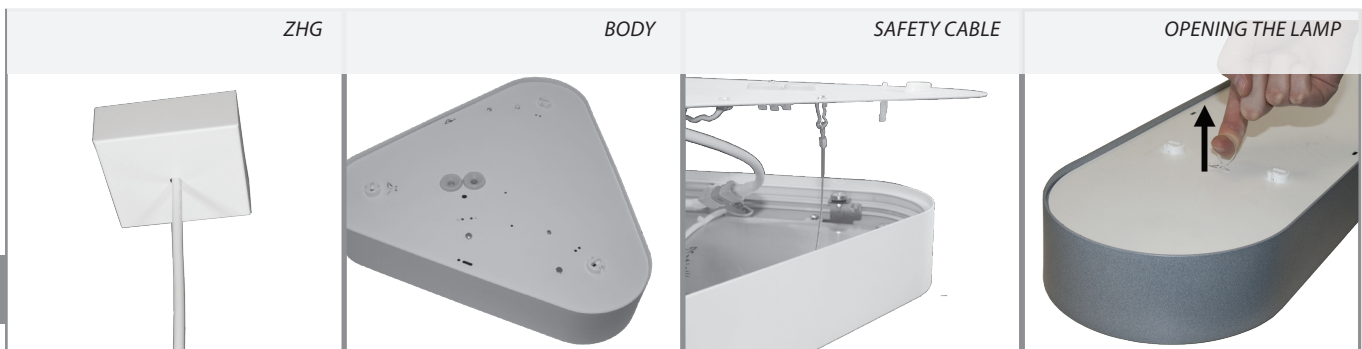
GEO shapes:

GEO T Triangle	TS = 400 mm TM = 600 mm
GEO S Square	SS = 400 mm SM = 600 mm
GEO R Rectangle	RS = 400x600 mm RM = 600x900 mm
GEO P Ring	P = 1200 mm
GEO O Oval	OS = 700x 200 mm OM = 1200 x 200 mm OL = 1700 x200 mm

Note
Fittings for pendant installation are delivered with ZHG accessories.
GEO P (ring) can be used only as pendant fitting.

2200	2700	3000	4000	5700	6500	MIX	RGB	
○	○	○	●	○	○	○	×	●
●	×	○	○	○	×	×	×	×

● default ○ optional × not possible



Code: GEOS3000SO4/9003/ND

GEO	SS	3000	SO	4		/9003	/ND
Luminaire type:	Face	Light output (lm)	Cover type SO - SATINE opal PMMA KO - opal PS	Color temperature: 3 = 3000K, 4 = 4000K MIX - tunable white		Mounting method: Z= hanging	Color RAL 9003 9005 9006 9007 355, 2316, 2303 Driver type ND - no dimmable DALI - dimmable DALI BTC - Casambi bluetooth control

Barevné varianty:

9003 = white RAL9003
9005 = black RAL9005



2316 = dark blue,
Y2316F, série Ambre 2525 Sablé



9006 = grey RAL9006
9007 = grey RAL9007



2303 = dark blue
Y2303I, série Brisbane Sablé



355 = dark brown
YX355F, série Mars 2525 Sablé



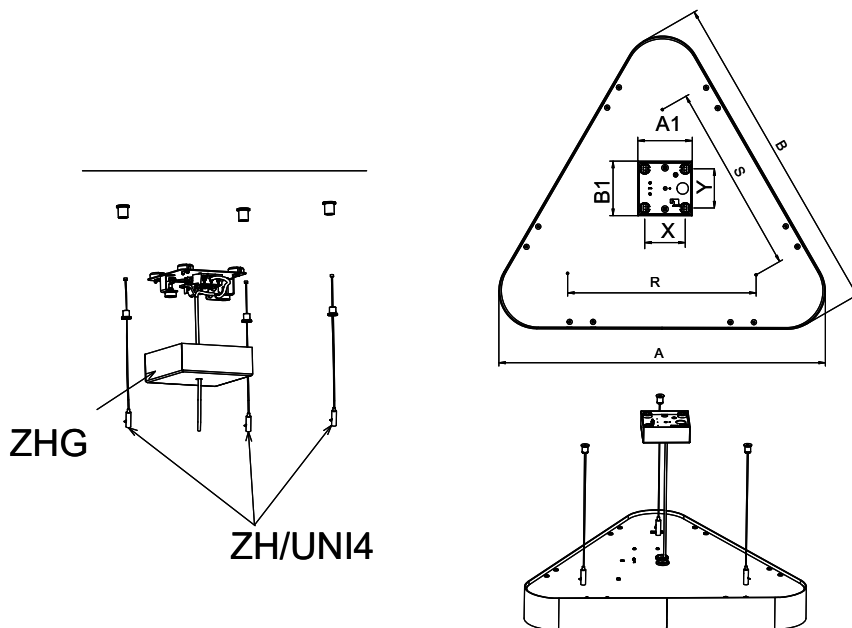
Other colors available on
<https://www.interpon.com/bg/coatings/overview>



ZHG – ceiling box with power cable

- In identical color as GEO fitting
- ZHG – white cable 3x0,75mm (non-dimm fittings), length 2m
- ZHG5- white cable 5x0,75mm (dimmable fittings), length 2m

A1	B1	X	Y
120	120	91	91



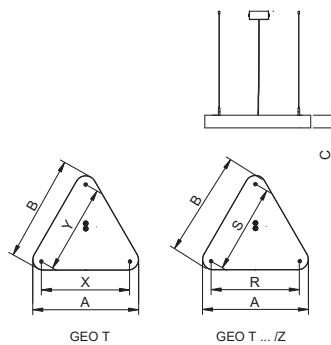
lm - luminaire light output

Due to MODUS program of products development a data can be changed without notice. Luminous flux and connected electrical load are subject to an initial tolerance of up to + / - 10%. Color temperature is subject to a tolerance of up to +/-150 K from the nominal value. The failure of 1 LED points causes no functional impairment to the lighting performance of the luminaire and is therefore no reason for complaint.

GEO T



GEO T



GEO T

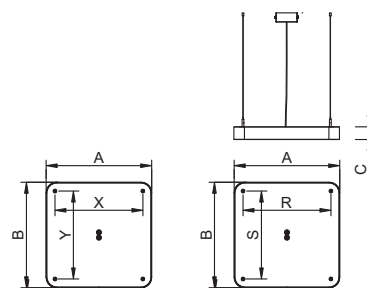
GEO T .../Z

	W	lm	A	B	C	X	Y	R	S	kg
GEO TS1500	15	1 800	400	400	72	200	180	-	-	2,4
GEO TS3000	31	3 500								
GEO TM4000	28	3 800	600	600		500	500	350	350	5,1
GEO TM6000	48	6 400								

GEO S



GEO S

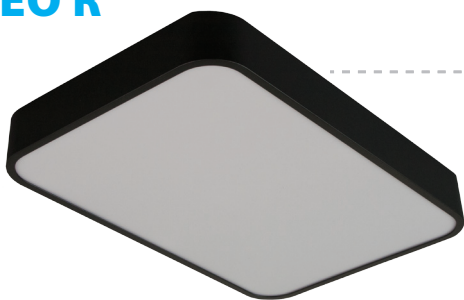


GEO S

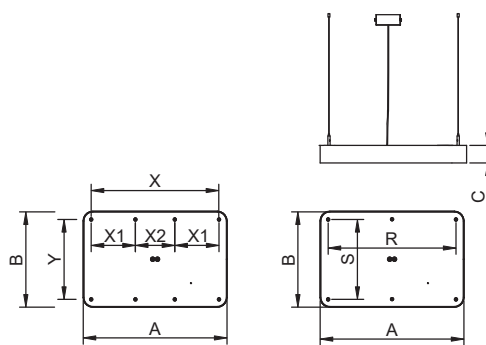
GEO S .../Z

	W	lm	A	B	C	X	Y	R	S	kg
GEO SS2000	16	2 200	400	400	72	300	300	200	200	4,2
GEO SS3000	23	3 100								
GEO SS4000	30	4 150								
GEO SM3000	22	3 100	600	600		500	500	300	300	
GEO SM4000	29	4 100								
GEO SM6000	42	6 100								

GEO R



GEO R



GEO R

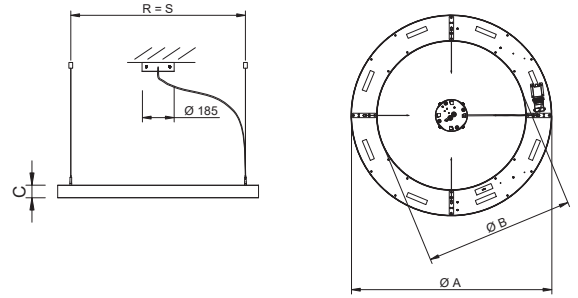
GEO R .../Z

	W	lm	A	B	C	X	X1	X2	Y	R	S	kg
GEO RS3000	23	3 100	600	400	72	500	-	-	300	300	200	4,2
GEO RS4000	32	4 000										
GEO RM6000	45	6 300	900	600		800	260	260	500	450	300	
GEO RM8000	63	8 200										

GEO P

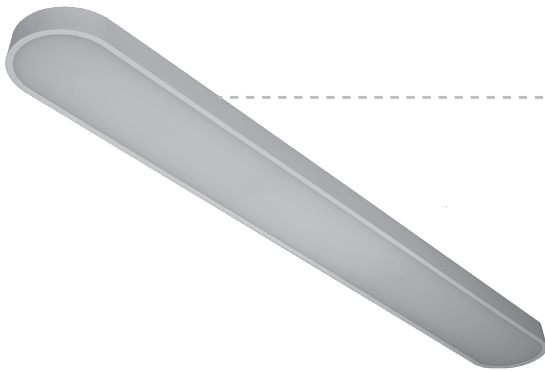


GEO P

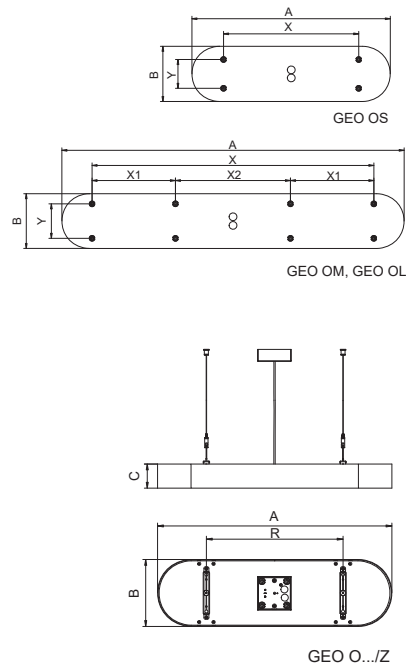


	W	lm	A	B	C	R	S	kg
GEO PL8000	80	9600	1150	850	72	1000	1000	12
GEO PL12000	93	11500						

GEO O



GEO O



	W	lm	A	B	C	X	X1	X2	Y	R	kg
GEO OS3000	24	2 800	700	200	72	470	-	-	120	410	4,2
GEO OM4000	32	4 100	1200			980	290	400		-	6,3
GEO OM6000	53	6 700	1700			980	290	400		980	8,8
GEO OL5000	35	4 600									
GEO OL7000	51	6 600									
GEO OL9000	61	8 100									