

Electrical equipment may only be installed and assembled by a qualified electrician in accordance with the relevant installation standards, guidelines, regulations, directives, safety and accident prevention regulations of the country.

Failure to comply with these installation instructions may result in damage to the device, fire or other hazards.

Hazard due to electric shock. Disconnect before working on the device or load. Take into account all circuit breakers that supply dangerous voltages to the device or load.

Hazard due to electric shock. The device is not suited for safe disconnection of the mains supply.

Hazard due to electric shock on the SELV/PELV installation. Not suitable for switching SELV/PELV voltages.

Do not connect only one motor per output. When connecting several motors, motors or device may be destroyed

Use drives with mechanical or electrical final position switches only. Check final position switches for correct adjustment. Observe motor manufacturer's data. The device could get damaged.

Do not connect any three-phase motors. The device could get damaged.

Observe the motor manufacturer's data regarding change-over time and max. switch-on time.

These instructions are an integral component of the product and must be retained by the end user.

System information

This device is a product of KNX system and corresponds to the KNX guidelines. Detailed specialised knowledge obtained from KNX training courses is required for comprehension. The planning, installation and commissioning of the device is carried out with the help of KNX-certified software.

Systemlink start-up:

The function of the device is software-dependent. The software is to be taken from the product database. You can find the latest version of the product database, technical descriptions as well as conversion and additional support programmes on our website.

Easylink start-up:

The function of the device is configuration-dependent. The configuration can also be done using devices developed specially for simple setting and start-up.

This type of configuration is only possible with devices of the easylink system. Easylink stands for easy, visually supported start-up. Preconfigured standard functions are assigned to the in/outputs by means of a service module.

Functional description

The device receives telegrams from sensors or other controllers via the KNX installation bus and switches electrical loads with its independent relay contacts.

The C load variants are particularly suitable for capacitive loads and are designed for high switch-on currents.

Correct use

- Switch electrical loads of 230 V AC with potential-free contacts.
- Switching electrically operated motors of 230 V AC for blinds, shutters, awnings and similar hangings.
- Mounting on DIN rail according to DIN EN 60715 in the distribution box.

Product characteristics

- manual activation of the outputs on the device possible, building site operation
- Status display of the outputs on the device
- Scene function
- Forced position by higher-level controller
- Connection of various external conductors possible.

Functions in switch operation

- Time switching functions

Functions in shutter/blind operation:

- Position can be started directly
- Slat position directly controllable
- Feedback of operating state, shutter position and slat adjustment
- 3 Alarms

Operation

Manual operation switch on/off

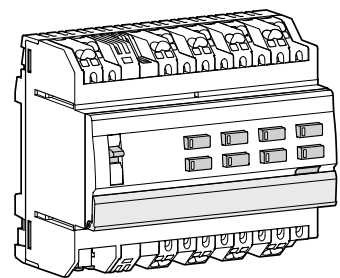
With the 8/4gang variants, control of the outputs is possible even without bus voltage when mains voltage is connected e.g. for operation at building sites.

Bus or mains power supply is present.

Push switch (1) to position .

Manual operation is switched on, the outputs can be controlled using the operation buttons (6) independently of each other.

During manual operation, the controller is deactivated via the KNX bus.



Operating and assembly instructions Bedienings- en montagehandleiding



7531 41 15, 7531 ..1 04 7531 90 02

Switch actuator/blind actuator
RMD, 16 A

Schakel-/jaloezieactor DIN-rail, 16 A

7531 41 16, 7531 ..1 05, 7531 90 03

Switch actuator/blind actuator RMD
for C load, 16 A

Schakel-/jaloezieactor DIN-rail,
16 A capaciteif

8031 41 16, 8031 ..1 05, 8031 90 03

Switch actuator/blind actuator RMD
for C load, 16 A, system-/easylink

Schakel-/jaloezieactor DIN-rail, 16 A
capaciteif, easylink

Design and layout of the device

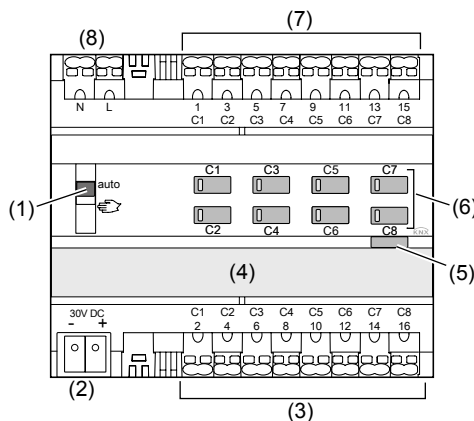


Fig. 1: Example device variant 8/4gang

- (1) Slide switch **auto**
 - (2) KNX bus connection terminal
 - (3) Connections loads
 - (4) Labelling field
 - (5) Illuminated programming button
 - (6) Operation button for manual operation per output with status LED
 - (7) Connections for switching voltage
 - (8) Mains power supply connections (only 8gang)
- With variants 4/2gang, 6/3gang and 10/5gang the basic design corresponds to the 8/4gang device variant.

Systemlink start-up:

Depending on the programming, the manual operation is either activated permanently or for a time period configured via the application software. If the manual operation is blocked via the application software, no activation takes place.

Or:

- Move switch (1) to position **auto**.

The manual operation is switched off. Operation takes place solely via the KNX bus. The output adopts the position predefined by the bus controller.

Operating outputs in manual operation

Operation takes place per output by brief repeated presses on the operation button (table 1).

CAUTION!
Risk of destruction due to simultaneous pressing of the buttons for UP and DOWN if a motor is connected when the motor is in unprogrammed state!
Motors, hangings and the device may be destroyed!
Always only press one button in manual operation for unprogrammed devices.

Status	Behaviour when button pressed briefly
Switching operation	
Load is switched off. Status LED of the button (6) is off	Switch ON the connected load. Status LED of the button (6) lights up.
Load is switched on, status LED of the button (6) lights up	Switch OFF the connected load. LED goes out.
Roller shutter/blind operation	
Output is in standby, status LED of the button (6) is off	Movement operation starts. Status LED of the button (6) lights up. ¹⁾ ⓘ If the roller shutter/blind is in the final position, press the opposite button to move the roller shutter/ blind
Output active, status LED of the button (6) lights up. ¹⁾	Movement operation stops, LED goes out.

¹⁾ LED lights up red with 7531 .. devices. LED lights up red while moving up and green while moving down with 8031 .. devices

Table 1: Manual operation

Information for electricians

Installation and electrical connection

DANGER!
Touching live parts can result in an electric shock!
An electric shock can be lethal!
Disconnect the connecting cables before working on the device and cover all live parts in the area!

CAUTION!
Impermissible heating if the load of the device is too high!
The device and the connected cables may get damaged in the connection area!
Do not exceed the maximum current carrying capacity!

CAUTION!
Risk of destruction if parallel connection of several motors on one output!
Final position switches could fuse together. Motors, hangings and the device may be destroyed!
Do connect only one motor per output!

Installing the appliance

ⓘ Observe temperature range. Provide sufficient cooling.

- Mount device onto DIN rail in accordance with DIN EN 60715.

Connect device

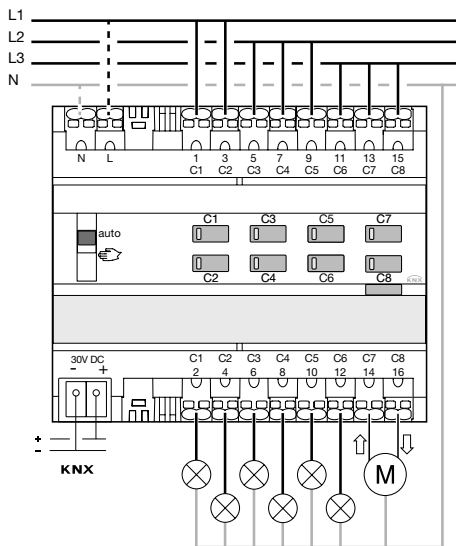


Fig 2: Device connection

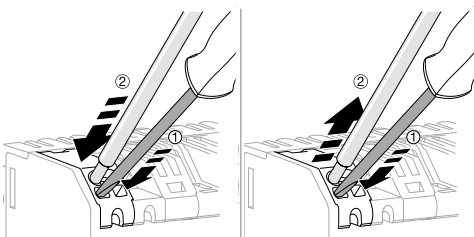
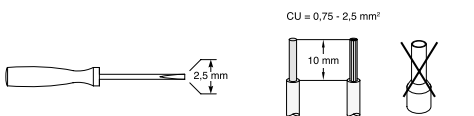
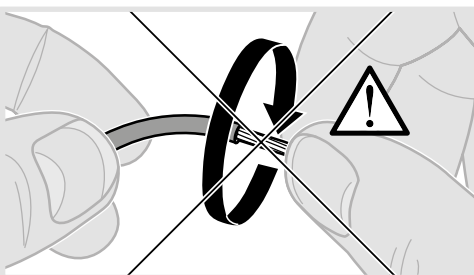


Fig 3: Installation/deinstallation with plug-in terminals



- Connect bus cable via connecting terminal (2).

ⓘ Mains voltage can be connected optionally for device variants 8/4gang (8). Reduction of the power supply load is possible (see Technical data).

Connecting loads to be switched

The output is configured as switching output.

- Connect switching voltage on the upper terminal strip (7) of the device
- Connect load on the lower terminal strip (3) of the device

Connecting blind drives

The two adjacent relay outputs **C1/C2, C3/C4, C5/C6, C7/C8** each form one blind output for blind operations. Each left relay output **C1, C3, C5, C7** is intended for the direction UP, each right relay output **C2, C4, C6, C8** is intended for the direction DOWN. In manual operation, the blind is moved UP and DOWN using the corresponding operation buttons.

Two outputs are configured as blind output.

- Connect supply voltage of the drives on the upper terminal strip (7). While doing so, use the same phase (external conductors).
- Connect drives on the lower terminal strip (3).

Start-up

Systemlik: Loading the physical address and application software

The switch (1) is in position **auto**.

- Switch on bus voltage.
- Press programming button (5).
The button lights up.
- ⓘ If the button does not light up, no bus voltage is present.
- Load the physical address into the device.
Status LED of the button goes out.
- Load application software.
- Note down the physical address on the labelling field (4).

Easylink:

Information on the system configuration can be taken from the extensive description of the service module easylink.

Start up the device.

- Switch on mains voltage on the outputs.
- Switch on mains supply (variant 8gang).

Determine operation time and slat adjusting time

In blind/roller shutter operation, the operation time for positioning the sunshade is important. The position is calculated based on the operation time. The slat adjusting time for slat blinds, determined by the design, is part of the total operation time. The opening angle of the slats is therefore set as operation time between opened and closed position.

- ⓘ The operation time for UP is normally longer than the operation time for DOWN and must be measured separately if necessary
- Measure UP and DOWN operation time of the hanging.
- Measure slat adjusting time between OPEN and CLOSED.
- Enter measured values into the parameter setting – **running time...** or **slat step time**.

Functional test

The functionality of the outputs is displayed via the status LED of the operation button (6).

Appendix

Technical data

Supply voltage KNX	21-32V $\overline{\text{---}}$ SELV
Breaking capacity	μ 16A 230V~ AC1
Incandescent lamps	2300 W
HV halogen lamps	2300 W
Conventional transformers	1600 W
Electronic transformers	1200 W
Fluorescent lamps:	
- without ballast	1200 W
- with electronic ballast (mono/duo)	20 x 36 W
Energy-saving lamps	18 x 23 W
Switching current at $\cos \Phi = 0.6$	max. 6 A
Upstream protection: circuit breaker	16 A
Minimum switching current	100 mA
Interlock time for changing direction of travel	software-dependent
Operating altitude	max. 2000 m
Degree of contamination	2
Surge voltage	4 kV
Degree of protection of housing	IP 20
Degree of protection of housing under front panel	IP30
Impact protection	IK 04
Overvoltage class	III
Operating temperature	-5° ... +45°C
Storage/transport temperature	-20 ... +70 °C
Maximum switching cycle rate at full load	6 switching cycle/minute
Connection capacity	0.75 mm ² ...2.5 mm ²
Communication media KNX	TP 1
Configuration mode	S-Mode, Easy link controller (8031.....)
Fluorescent lamps with conv. ballast, parallel connection	1500 W, 200 μ F

Variants 4/2gang

Energy dissipation	8 W
Maximum current permitted per device	max. 40 A
Own consumption on the KNX bus:	
- typical	4 mA (7531 ..) 5 mA (8031 ..)
- in standby	3,3 mA (7531 ..) 3 mA (8031 ..)
Dimension	4 TE, 4 x 17.5 mm

Variants 6/3gang

Energy dissipation	12 W
Maximum current permitted per device	max. 60 A
Own consumption on the KNX bus:	
- typical	4,3 mA (7531 ..) 5 mA (8031 ..)
- in standby	3,3 mA (7531 ..) 3 mA (8031 ..)
Dimension	4 TE, 4 x 17.5 mm

Variants 8/4gang


Auxiliary voltage	230V~ +10/-15% 240V~ +/-6%
Maximum current permitted per device	max. 80 A
Energy dissipation	12 W
Own consumption on the KNX bus:	
- typical	15,2 (7531 ..) 6 mA (8031 ..)
- in standby	8,6 mA (7531 ..) 4 mA (8031 ..)
Own consumption on the KNX bus with mains connection:	
- typical	2 mA
- in standby	2 mA
Dimension	6 TE, 6 x 17.5 mm

Variants 10/5gang

Energy dissipation	15 W
Maximum current permitted per device	max. 100 A
Own consumption on the KNX bus:	
- typical	15,9 mA (7531 ..) 6 mA (8031 ..)
- in standby	7,5 mA (7531 ..) 4 mA (8031 ..)
Dimension	6 TE, 6 x 17.5 mm

Troubleshooting

Manual operation not possible

Cause 1: Switch (1) not moved to .

Move switch to .

Cause 2: Manual operation is not enabled (Systemlink).

Enable manual operation via application software.


Bus operation is not possible

Cause 1: Bus voltage is not present.

Check bus connection terminals for correct polarity.

Check bus voltage by briefly pressing the programming button (5), red LED lights up if bus voltage is present.

8gang: If mains voltage without bus voltage is present - red LED of programming button (5) flashes.

Cause 2 : Manual operation is active. Switch (1) is in position .

Move switch (1) to position **auto**.

Shutters/blinds do not move to the final position

Cause: Operation time for the shutters/blinds set incorrectly.

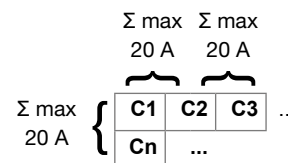
Check operation times. Measure again and reprogram if necessary.

Warranty

We reserve the right to make technical and formal changes to the product in the interest of technical progress.

Our products are under guarantee within the scope of the statutory provisions.

If you have a warranty claim, please contact the point of sale or ship the device postage free with a description of the fault to the appropriate regional representative.



Overall load current rating of neighbouring outputs 20 A



Correct Disposal of This product (Waste Electrical & Electronic Equipment).

(Applicable in the European Union and other European countries with separate collection systems).

This marking shown on the product or its literature indicates that it should not be disposed with other household waste at the end of its working life. To prevent possible harm to the environment or human health from uncontrolled waste disposal, please separate this from other types of wastes and recycle it responsibly to promote the sustainable reuse of material resources.

Household users should contact either the retailer where they purchased this product, or their local government office, for details of where and how they can take this item for environmentally safe recycling.

Business users should contact their supplier and check the terms and conditions of the purchase contract. This product should not be mixed with other commercial wastes of disposal.

Usable in all Europe  and in Switzerland

Veiligheidsinstructies

(NL)

Inbouw en montage van elektrische apparatuur mogen alleen door een installateur worden uitgevoerd conform de geldende installatie-ormen, richtlijnen, bepalingen, veiligheids- en ongevallenpreventievoorschriften van het betreffende land.

Bij het niet naleven van de installatie-instructies kunnen schade aan het apparaat, brand of andere gevaren optreden.

Gevaar voor elektrische schok. Voor de werkzaamheden aan het apparaat of de last loskoppelen. Houd daarbij rekening met alle installatie-automaten, die gevaarlijke spanningen aan apparaat of belasting leveren.

Gevaar voor elektrische schok. Het apparaat is niet geschikt voor loskoppelen van belastingen van de netspanning.

Gevaar voor elektrische schokken aan de SELV- of PELV-installatie. Niet geschikt voor schakelen van SELV/PELV-spanningen.

Slechts één motor per uitgang aansluiten. Bij aansluiting van meerdere motoren kunnen motoren of apparaat beschadigd raken.

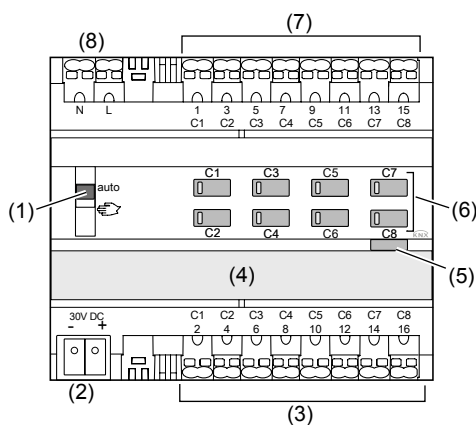
Gebruik alleen aandrijvingen met mechanische of elektronische eindschakelaars. Controleer de eindschakelaar op correcte instelling. Houd de specificaties van de motorfabrikant aan. Het apparaat kan beschadigd raken.

Sluit geen draaistroommotoren aan. Het apparaat kan beschadigd raken.

Houd de instructies van de motorfabrikant aan voor wat betreft de omschakeltijd en de maximale inschakelduur (ID).

Deze handleiding maakt deel uit van het product en dient in het bezit van de eindgebruiker te blijven.

Opbouw van het apparaat



Afb. 1: voorbeeld apparaatvariant 8-/4-voudig

- (1) Schuifschakelaar **auto**
- (2) KNX busaansluitklem
- (3) Aansluitingen belastingen
- (4) Tekstveld
- (5) Verlichte programmeertoets
- (6) Bedieningstoets voor handmatige modus per uitgang met status-LED
- (7) Aansluitingen schakelspanning
- (8) Aansluiting netvoeding (alleen 8-voudig)

Bij de varianten 4-/2-voudig, 6-/3-voudig en 10-/5-voudig komt de opbouw van het apparaat in principe overeen met die van variant 8-/4-voudig.

Functie

Systeeminformatie

Dit apparaat is een product van het KNX-systeem en voldoet aan de KNX-richtlijnen. Gedegen vak-kennis door KNX-opleidingen wordt als voorwaarde gesteld. Planning, installatie en inbedrijfstelling van het apparaat worden uitgevoerd met behulp van KNX-gecertificeerde software.

Systemlink Inbedrijfstelling:

De werking van het apparaat is afhankelijk van de software. De software is te vinden in de productdatabase. Productdatabase, technische beschrijvingen en conversie- en andere hulpprogramma's vindt u altijd actueel op onze internetpagina.

Easylink Inbedrijfstelling:

De functie van het apparaat is afhankelijk van de configuratie. De configuratie kan ook met behulp van speciaal voor de eenvoudige instelling en inbedrijfstelling ontwikkelde apparaten worden uitgevoerd.

Dit type configuratie is alleen met apparaten uit het easylink-systeem mogelijk. Easylink staat voor een eenvoudige, visueel ondersteunde inbedrijfstelling. Hierbij worden voorgeconfigureerde standaard-functies met behulp van een servicemodule aan de in-/uitgangen toegekend.

Functiebeschrijving

Het apparaat ontvangt telegrammen van sensoren of andere besturingen via de KNX-installatiebus en schakelt met de onderling onafhankelijke relaiscontacten elektrische verbruikers.

De C-last varianten zijn bijzonder goed geschikt voor capacatieve lasten en zijn gedimensioneerd voor hoge inschakelstromen.

Juiste toepassing

- Schakelen van elektrische verbruikers 230 V AC met potentiaalvrije contacten.
- Schakelen van elektrisch aangedreven motoren 230 V AC voor jaloezieën, rolluiken, markiezen en soortgelijke installaties.
- Montage op DIN-rail conform DIN EN 60715 in de onderverdeling.

Producteigenschappen

- Handmatige aansturing van de uitgangen op het apparaat mogelijk, bouwplaatsmodus
- Statusindicatie van de uitgangen op het apparaat
- Scènefunctie
- Geforceerde stand via besturing van hoger niveau
- Aansluiting van verschillende fasen mogelijk.

Functies en schakelaarmodus

- Tijdschakelfuncties

Functies en rolluik-/jaloeziemodus

- Positie kan direct worden ingenomen
- Lamellenstand direct aanstuurbaar
- Terugmelding van bewegingstoestand, ophangpositie en lammellenverstelling
- 3 alarmen

Bediening

Handmatige modus in-/uitschakelen

Bij de 8-/4-voudige varianten is een besturing van de uitgangen ook zonder busspanning mogelijk, wanneer netspanning is aangesloten bijv. voor de bediening op bouwplaatsen.

Bus- of netspanningsvoeding is actief.

- Schakelaar (1) in stand plaatsen.

De handmatige modus is ingeschakeld, de uitgangen kunnen via de bedieningstoetsen (6) onafhankelijk van elkaar worden aangestuurd.

Tijdens de handmatige modus is de besturing via de KNX-bus gedeactiveerd.

Systemlink inbedrijfstelling: afhankelijk van de programmering wordt de handmatige modus permanent geactiveerd of gedurende een via de applicatiesoftware geparametreerde tijd. Wanneer de handmatige modus via de applicatie-software is geblokkeerd, wordt de activering niet uitgevoerd.

Of:

- Schakelaar (1) in stand **auto** plaatsen.

De handmatige modus is uitgeschakeld. De besturing verloopt uitsluitend via de KNX-bus. De uitgang neemt de door de busbesturing gegeven positie in.

Uitgangen in handmatige modus bedienen

De bediening volgt per uitgang door herhaaldelijk kort indrukken van de bedieningstoets (tabel 1).



VOORZICHTIG!

Gevaar voor beschadiging door tege-lijkertijd indrukken van de toetsen voor OMHOOG en OMLAAG bij aansluiting van een motor in ongeprogrammeerde toestand van het apparaat!

Motoren, installaties en apparaten kunnen beschadigd raken!

Bij ongeprogrammeerde apparaten altijd slechts één toets in handmatige modus bedienen.

Toestand	Gedrag bij korte toetsbediening
Schakelmodus	
De belasting is uitgeschakeld. Status-LED van de toets (6) is uit	INschakelen van de aangesloten belasting. Status-LED van de toets (6) brandt.
Belasting is ingeschakeld, status-LED van de toets (6) brandt	UITschakelen van de aangesloten belasting. LED gaat uit.
Rolluik-/jaloeziemodus	
Uitgang is in de rusttoestand, status-LED van toets (6) is uit	Beweging start. Status-LED van de toets (6) brandt. ¹⁾ Wanneer de rolluik/jaloezie zich in de eindstand bevindt, dan moet de tegenoverliggende toets worden ingedrukt, om de rolluik/jaloezie te bewegen
Uitgang actief, status-LED van de toets (6) brandt. ¹⁾	Beweging stopt, LED gaat uit.

¹⁾ In TYA6.. brandt de LED rood. In TXA6.. brandt de LED rood als de rolluik omhoog beweegt en groen bij omlaag.

Tabel 1: handmatige modus

Informatie voor de elektrotechnisch installateur

Montage en elektrische aansluiting



GEVAAR!

Gevaar voor elektrische schokken bij aanraking van onderdelen die onder spanning staan!

Elektrische schokken kunnen de dood tot gevolg hebben!

Voorafgaand aan werkzaamheden aan het apparaat de aansluitleidingen loskoppelen en spanningvoerende delen in de omgeving afdekken!



VOORZICHTIG!

Ontoelaatbare opwarming bij te hoge belasting van het apparaat!

Het apparaat en de aangesloten kabels kunnen in het aansluitgebied beschadigd raken!

Overschrijd de maximale stroombelastbaarheid niet!



VOORZICHTIG!

Gevaar voor beschadiging bij parallel schakelen van meerdere motoren op een uitgang!

Eindschakelaars kunnen vastlassen. Motoren, installaties en apparaten kunnen beschadigd raken!

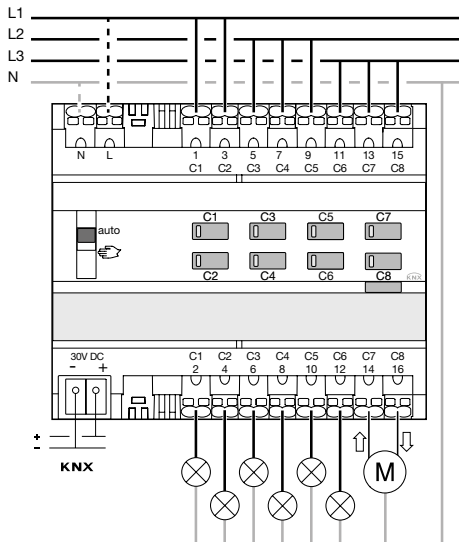
Slechts één motor per uitgang aansluiten!

Apparaat monteren

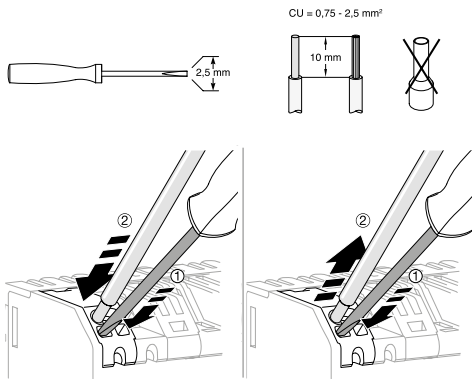
Temperatuurbereik aanhouden. Zorg voor voldoende koeling.

Monteer het apparaat op een DIN-rail conform DN EN 60715.

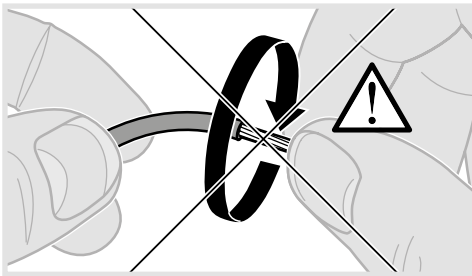
Apparaat aansluiten



Afb. 2: apparaat aansluiten



Afb. 3: installatie/deinstallatie met steekklemmen



- Buskabel via aansluitklem (2) aansluiten.
- Als optie kan bij de apparaatvariant 8-/4-voudig netspanning worden aangesloten (8). Reductie van de belasting van de voedingsspanning **astingen aansluiten**

De uitgang is geparametreerd als schakeluitgang.

- Sluit de schakelspanning aan op de bovenste klemstrook (7) van het apparaat
- Belasting op de onderste klemstrook (3) van het apparaat aansluiten

Jaloezie-aandrijvingen aansluiten

Voor jaloeziebedieningen vormen telkens de twee naast elkaar liggende relaisuitgangen **C1/C2, C3/C4, C5/C6, C7/C8** een jaloezie-uitgang. De telkens linker relaisuitgang **C1, C3, C5, C7** is bedoeld voor de richting **OMHOOG**, de telkens rechter relaisuitgang **C2, C4, C6, C8** voor de richting **OMLAAG**. **OMHOOG** en **OMLAAG** bewegen van de jaloezie in handmatige modus wordt via de betreffende bedieningstoetsen gerealiseerd.

Twee uitgangen zijn als jaloezie-uitgang geparametreerd.

- Voedingsspanning van de aandrijving op de bovenste klemstrook (7) aansluiten. Gebruik daarbij dezelfde fase (ader).
- Aandrijving op de onderste klemstrook (3) aansluiten.

Inbedrijfstelling

Systemlink: Fysieke adres en applicatiesoftware laden

De schakelaar (1) staat in de positie **auto**.

- Busspanning inschakelen.
- Programmeertoets (5) indrukken.

De toets licht op.

Wanneer de toets niet brand, is geen busspanning aanwezig.

- Fysieke adres in het apparaat laden. Status-LED van de toets gaat uit.
- Applicatiesoftware laden.
- Fysieke adres op tekstveld (4) noteren.

Easylink:


Informatie over de installatieconfiguratie is te vinden in de uitvoerige beschrijving van de service-module easylink.

Apparaat in bedrijf stellen.

- Netspanning op de uitgangen inschakelen.
- Netvoeding inschakelen (variant 8-voudig).

Bewegingstijd en lamellensteltijd bepalen

In rolluik-/jaloeziemodus is de bewegingstijd voor de positionering van de zonweringsinrichting van belang. Aan de hand van de bewegingstijd wordt de positie berekend. Bij lamellenjaloeziën is de lamellensteltijd afhankelijk van de constructie een deel van de totale bewegingstijd. De openingshoek van de lamellen wordt daarom als bewegingstijd tussen geopende en gesloten positie ingesteld.

 De bewegingstijd voor OP is in de regel langer dan de bewegingstijd voor NEER en moet eventueel apart worden gemeten

- OP- en NEER-bewegingstijd van de installatie meten.
- Lamellensteltijd tussen OPEN en GESLOTEN meten.
- Gemeten waarden in de parameterinstelling – **Looptijd ... resp. Lamellenstaptijd** invoeren.

Werkingscontrole

Via de status-LED van de bedieningstoets (6) wordt de functionaliteit van de uitgangen getoond.

Bijlage

Technische gegevens

Voedingsspanning KNX	21-32V $\overline{\text{=}}$ SELV
Uitschakelvermogen	μ 16A 230V~ AC1
Gloeilampen	2300 W
Halogeenlampen	2300 W
Conventionele transformatoren	1600 W
Elektronische transformatoren	1200 W
TL-lampen:	
- zonder voorschakelapparaat	1200 W
- met EVA (mono/duo)	20 x 36 W
Energiespaarlampen	18 x 23 W
Schakelstroom bij $\cos \Phi = 0,6$	max. 6 A
Upstream protection: circuit breaker	16 A
Minimale schakelstroom	100 mA
Vergrendelingstijd bij wisseling van de bewegingsrichting	software-afhankelijk
Gebruikshoogte	max. 2000 m
Vervuilinggraad	2
Piekspanning	4 kV
Beschermingsklasse behuizing	IP 20
Beschermingsklasse behuizing onder frontplaat	IP30
Stootbescherming	IK 04
Overspanningsklasse	III
Bedrijfstemperatuur	-5° ... +45°C
Opslag-/transporttemperatuur	-20°C ... +70°C
Maximale schakelfrequentie bij vollast	6 schakelcycli/minuut
Aansluitcapaciteit	0,75 mm ² ... 2,5 mm ²
Communicatiemedia KNX	TP 1
Configuratiemodus	S-Mode, Easy link controller (8031.....)

Alleen C-lastvarianten

TL-lampen met conv. voorschakelapparaat, parallelschakeling 1500 W, 200 μ F

Varianten 4-/2-voudig

Verliesvermogen 8 W
Toegestane maximale stroomsterkte per apparaat max. 40 A
Eigenverbruik op KNX-bus:
- gemiddeld 4 mA (7531 ..)
5 mA (8031 ..)
- in rusttoestand 3,3 mA (7531 ..)
3 mA (8031 ..)
Afmeting 4 TE, 4 x 17,5 mm

Varianten 6-/3-voudig

Verliesvermogen 12 W
Toegestane maximale stroomsterkte per apparaat max. 60 A
Eigenverbruik op KNX-bus:
- gemiddeld 4,3 mA (7531 ..)
5 mA (8031 ..)
- in rusttoestand 3,3 mA (7531 ..)
3 mA (8031 ..)
Afmeting 4 TE, 4 x 17,5 mm

Varianten 8-/4-voudig


Hulpspanning 230V~ +10/-15%
240V~ +/-6%
Toegestane maximale stroomsterkte per apparaat max. 80 A
Verliesvermogen 12 W
Eigenverbruik op KNX-bus:
- gemiddeld 15,2 (7531 ..)
6 mA (8031 ..)
- in rusttoestand 8,6 mA (7531 ..)
4 mA (8031 ..)
Eigenverbruik op KNX-bus met netaansluiting:
- gemiddeld 2 mA
- in rusttoestand 2 mA
Afmeting 6 TE, 6 x 17,5 mm

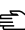
Varianten 10-/5-voudig

Verliesvermogen 15 W
Toegestane maximale stroomsterkte per apparaat max. 100 A
Eigenverbruik op KNX-bus:
- gemiddeld 15,9 mA (7531 ..)
6 mA (8031 ..)
- in rusttoestand 7,5 mA (7531 ..)
4 mA (8031 ..)
Afmeting 6 TE, 6 x 17,5 mm

Hulp bij problemen

Handbediening niet mogelijk

Oorzaak 1: schakelaar (1) niet op  ingesteld.

Schakelaar op  instellen.

Oorzaak 2: handbediening is niet vrijgegeven (Systemlink)

Handbediening via applicatiesoftware vrijgeven.


Busmodus niet mogelijk

Oorzaak: busspanning is niet aanwezig.

Busaanluitklemmen controleren op goed poling.

Busspanning controleren door kort de programmeertoets (5) in te drukken, rode LED brandt bij aanwezige busspanning.

8-voudig: Indien Netspanning aanwezig zonder busspanning - rode LED van programmeertoets (5) knippert.

Oorzaak 2: handmatige modus is actief. De schakelaar (1) staat in stand .

Schakelaar (1) in stand **auto** plaatsen.

Rolluiken/jaloeziën bewegen niet in de eindstand

Oorzaak: bewegingstijd voor de rolluiken/jaloeziën verkeerd ingesteld.

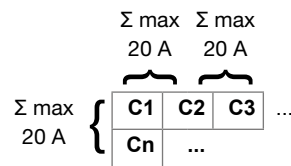
Bewegingstijden controleren. Eventueel opnieuw meten en apparaat opnieuw programmeren.

Garantie

Wij behouden ons het recht voor om technische en formele wijzigingen aan het product aan te brengen, voor zover deze de technische vooruitgang dienen.

Onze garantie voldoet aan de desbetreffende wettelijke bepalingen.

Neem bij garantiekwesties contact op met het verkooppunt of stuur het apparaat franco met beschrijving van de opgetreden defecten naar de desbetreffende regionale vertegenwoordiging.



Totaal toegestaan amperage op de aangrenzende wegen 20 A



Correcte verwijdering van dit product (elektrische & elektronische afvalapparatuur).

Dit merkteken op het product of het bijbehorende informatiemateriaal duidt erop dat het niet met ander huishoudelijk afval verwijderd moet worden aan het einde van zijn gebruiksduur. Om mogelijke schade aan het milieu of de menselijke gezondheid door ongecontroleerde afvalverwijdering te voorkomen, moet u dit product van andere soorten afval scheiden en op een verantwoorde manier recyclen, zodat het duurzame hergebruik van materiaalbronnen wordt bevorderd.

Huishoudelijke gebruikers moeten contact opnemen met de winkel waar ze dit product hebben gekocht of met de gemeente waar ze wonen om te vernemen waar en hoe ze dit product milieuvriendelijk kunnen laten recyclen.

Zakelijke gebruikers moeten contact opnemen met hun leverancier en de algemene voorwaarden van de koopovereenkomsten nalezen. Dit product moet niet worden gemengd met ander bedrijfsafval voor verwijdering.

Te gebruiken in geheel Europa  en in Zwitserland