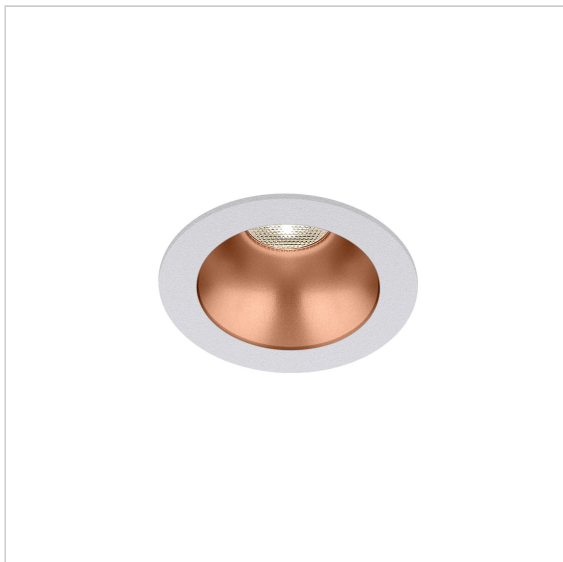
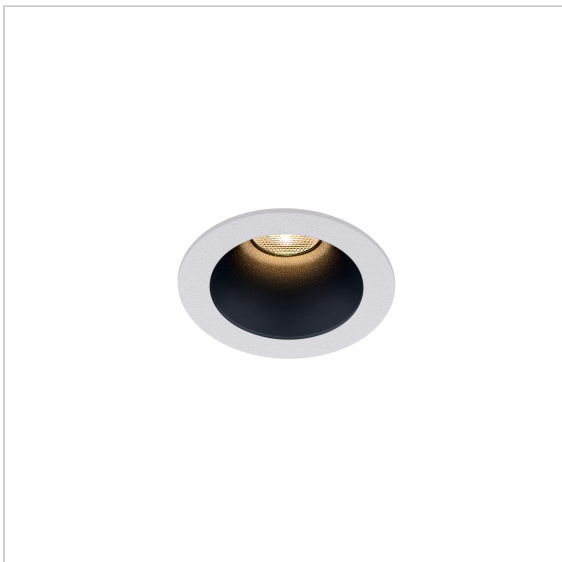
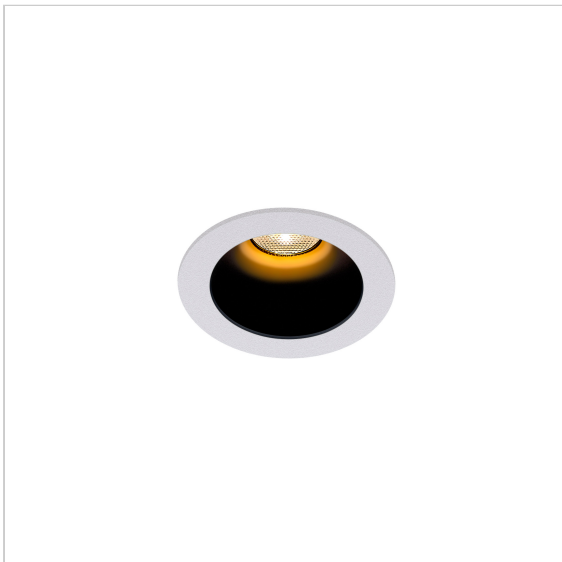
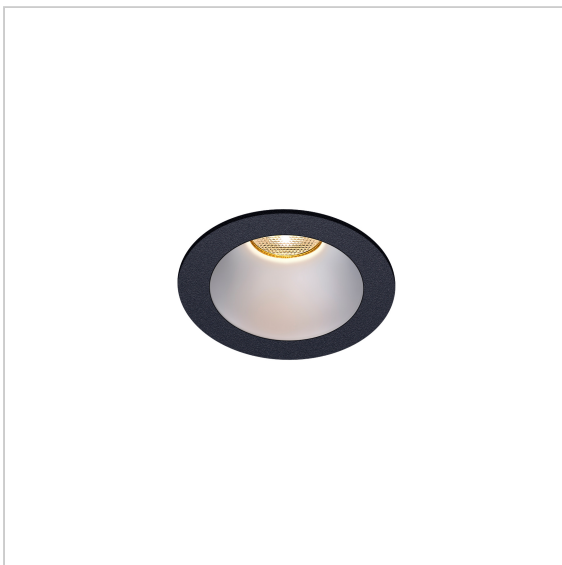
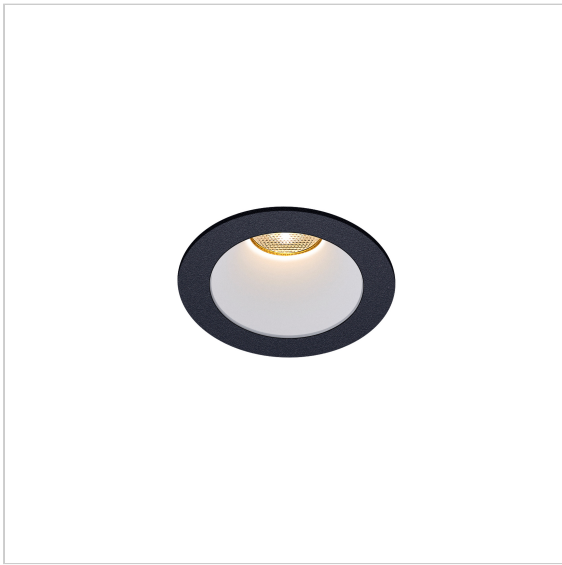


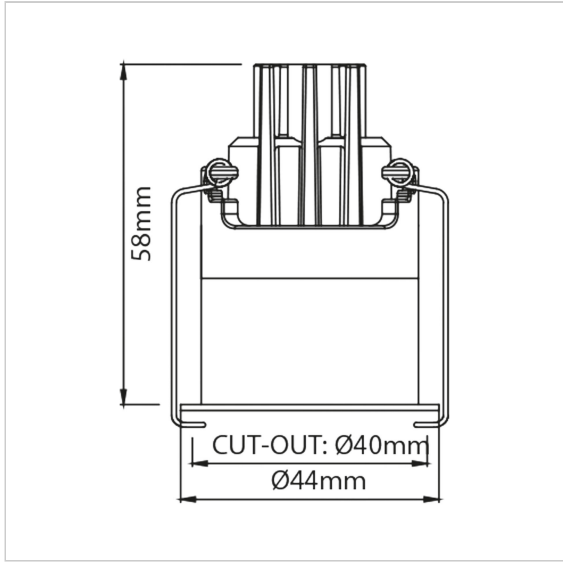
Dea Amata XS

SKU	: 211AB92718BM00
Housing material	: Aluminum Die Cast
Luminaire Color	: Black
Optic	: Reflector
Reflector Color	: Black Matt
Power supply	: Separate Available
Luminaire dimension	: Ø44x58mm
Cut out dimension	: Ø40mm
Luminous Flux (lm)	: 150 lm
LED power	: 2.1W
System power	: 3.2W
System efficiency	: 47lm/W
Beam angle (°)	: 18°
CCT (K)	: 2700K
CRI	: 90
Chromaticity tolerance	: 3 MacAdam
Nominal fV	: 3V
Nominal fA	: 700mA
Mains Voltage	: N/A
EI. Class	: Class II
Lifetime	: 50000h
Max. ambient temperature	: 35°C
IP rating	: IP43/IP20
Net. Weight	: 0.1Kg
Warranty	: 5Y

All rated values @ ambient temperature of 25° C. Electric and photometric values are initially subject to a tolerance of +/- 10%. Tolerance of color temperature +/- 150K. Technical data can change without prior notice.







© 2021 Karizma Luce BV. All rights reserved. Please visit karizmaluce.com for more information.