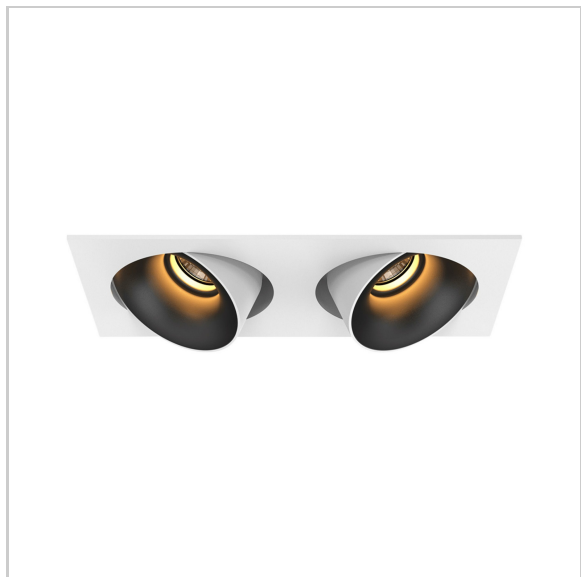
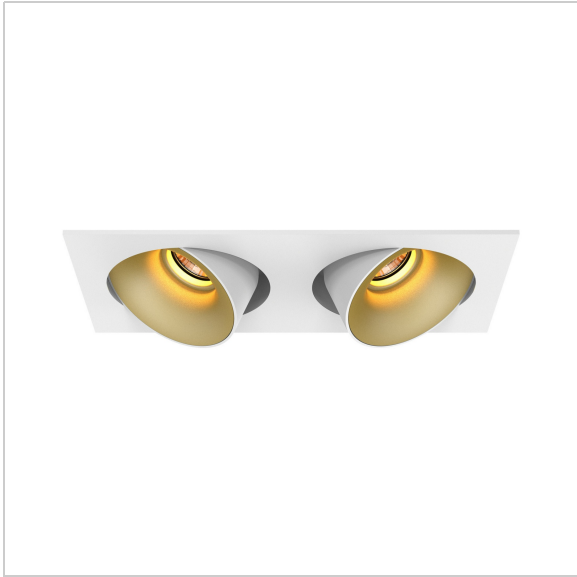
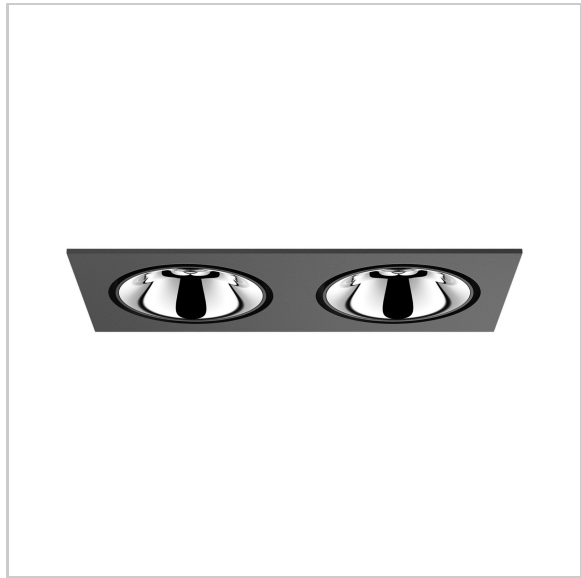
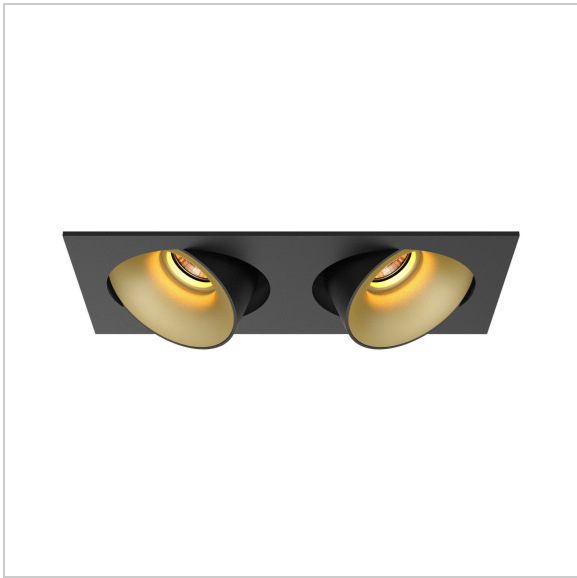


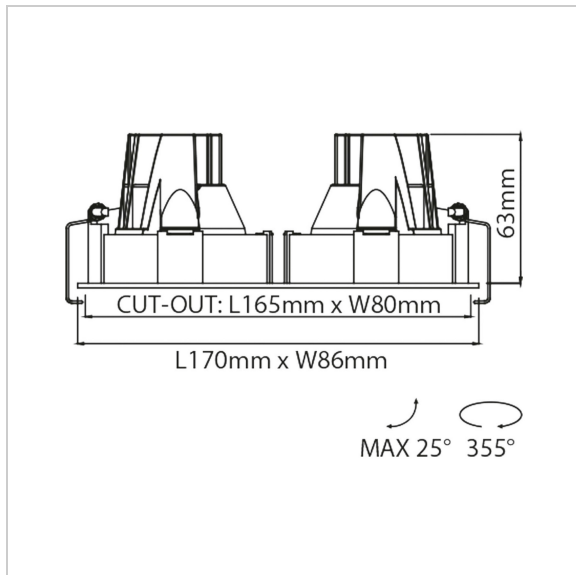
Dea Concordia S

| | |
|---------------------------------|----------------------|
| SKU | : 132DW92740WH00 |
| Housing material | : Aluminum Die Cast |
| Luminaire Color | : White |
| Optic | : Reflector |
| Reflector Color | : White |
| Power supply | : Separate Available |
| Luminaire dimension | : 170x86x63mm |
| Cut out dimension | : 165x80mm |
| Luminous Flux (lm) | : 2x840 lm |
| LED power | : 2x8.5W |
| System power | : 2x10.5W |
| System efficiency | : 80lm/W |
| Beam angle (°) | : 40° |
| CCT (K) | : 2700K |
| CRI | : 90 |
| Chromaticity tolerance | : 2 - 3 MacAdam |
| Nominal fV | : 33.2V |
| Nominal fA | : 250mA |
| Mains Voltage | : N/A |
| EI. Class | : Class II |
| Lifetime | : 50000h |
| Max. ambient temperature | : 35°C |
| IP rating | : IP20 |
| Warranty | : 5Y |

All rated values @ ambient temperature of 25° C. Electric and photometric values are initially subject to a tolerance of +/- 10%. Tolerance of color temperature +/- 150K. Technical data can change without prior notice.







© 2019 Karizma Luce BV. All rights reserved. Please visit karizmaluce.com for more information.