

# WRF-WI-8Z-8S-WH/WRF-WI-8Z-8S-ZW

860554/860556



## Feature

- Touch sensitive
- Glass interface(White & Black)
- Control 4 zones synchronously and separately
- Save up to 4 color/modes in each zone
- Wireless, can use together with 860550,860552



## Parameter

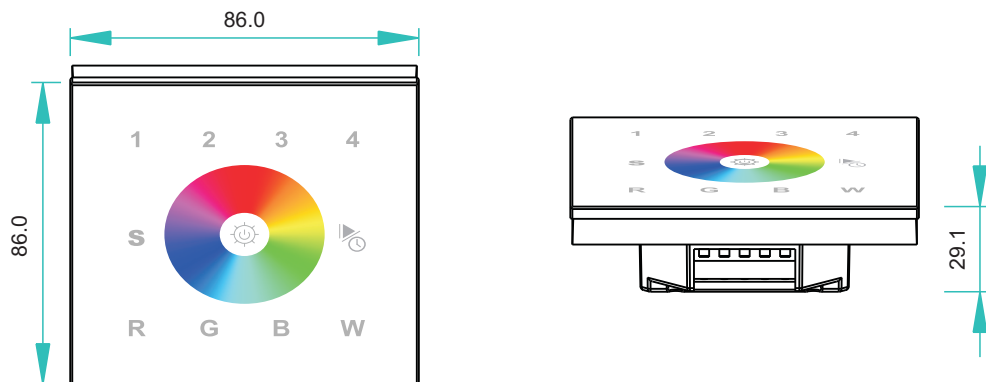
### Remote

Part No.	Operation Voltage	Operation Frequency	DIMENSIONS ø/h (mm)	Remarks
860554	12-24VDC	434MHz/868MHz	86x86x29.1	Touch Sensor
860556	12-24VDC	434MHz/868MHz	86x86x29.1	Touch Sensor

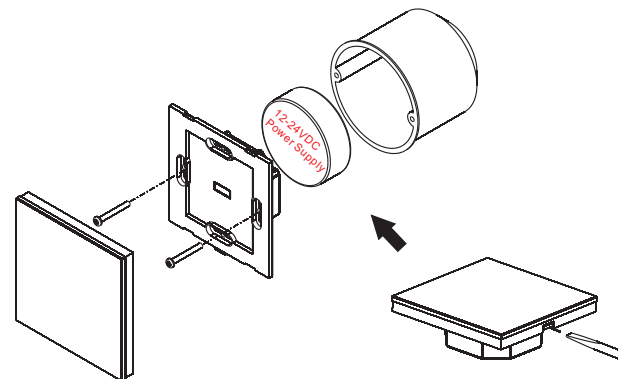
### Receiver

Part No.	Input Voltage	Current	Output	Remarks
860510	12-36VDC	4x5A	4x(60-180)W	Constant voltage
860500	12-36VDC	4x350mA	4x(4.2-12.6)W	Constant current
860505	12-36VDC	4x700mA	4x(8.4-25.2)W	Constant current

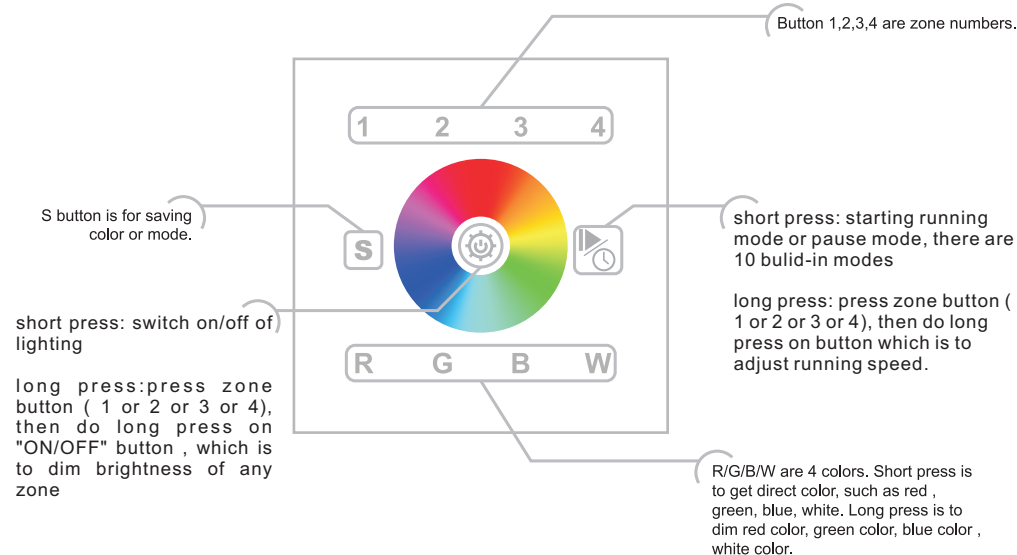
## Product Size



## Installation

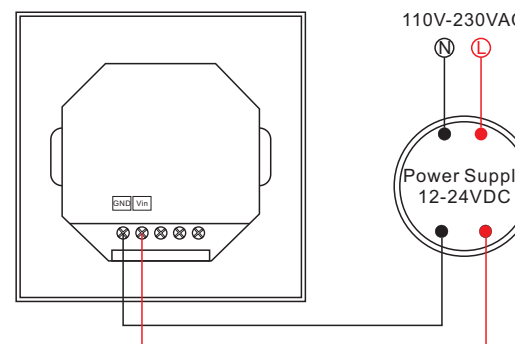


## Button introduction

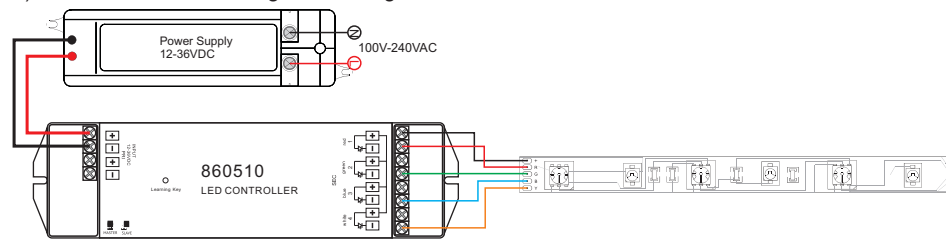


## Wiring diagram

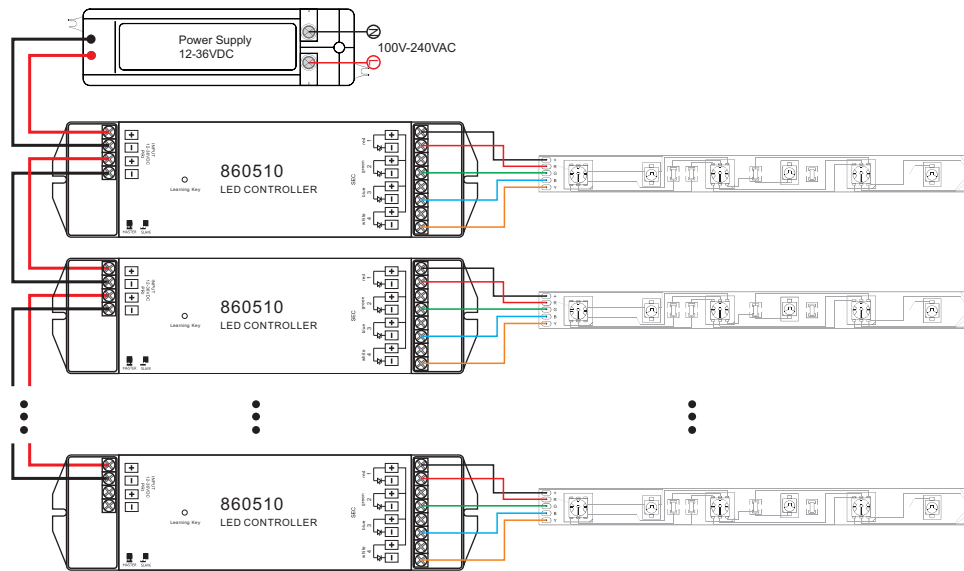
### 1)Sender Connection Diagram



## 2) Receiver Connection Diagram for Single Unit



## 3) Receiver Connection Diagram for Multiple Units



## Operation

### 1. Do wiring according to connection diagram

### 2. Learning process

- Wake up the panel by touching ON/OFF button.
- Press at learning button on receiver.
- Touch any zone button on panel.
- Then touch color wheel.
- Connected LED light will blink to confirm zone designation.
- Press at learning button on receiver over 5 seconds until LED light flash, then delete the learned ID.

Note: To choose a master from slaves by jumper for each zone.

Short circuit for master.

Open circuit for slave.

Each zone only can set 1 slave to be master. After a period of time, the master will do synchronization operation to keep the same color or mode of all slaves in one zone.

### 3. how to save color or mode

Button can save the color from mode or save color when you touch color wheel.

In "S" button, it saved "R/ G/ B" 3 colors in default. But with your operation, you can save another 3 colors replace those R/G/B colors.

Press any zone button----> press ► button, mode runs, see favorite mode----> press S button over 3 seconds until connected light flashes. Then it saved successful ly.

Press any zone button----> touch color wheel, see favorite color---> press S button over 3 seconds until connected light flashes. Then it saved successful ly.

## Safety & Warnings

- The product shall be installed and serviced by a qualified person.
- IP20. Please avoid the sun and rain. When installed outdoors, please ensure it is mounted in a water proof enclosure.
- Always be sure to mount this unit in an area with proper ventilation to avoid overheating.
- Please check if the output voltage of any LED power supplies used comply with the working voltage of the product.
- Never connect any cables while power is on and always assure correct connections to avoid short circuits before switching on.
- Please ensure that the cable is secured tightly in the connector
- For update information please consult your supplier.

## Warranty Agreement

1) We provide lifelong technical assistance with this product:

- 3-year warranty. We print date on every products, for example :1125 means year 2011, week 25. The warranty is for free repair or replacement and covers manufacturing faults only.

- For faults beyond the 3-year warranty we reserve the right to charge for time and parts.

2) Limited Warranty

- Any defects caused by wrong operation.

- Any damages caused by unauthorized removal, maintenance, modifying, incorrect connection and replacement of chips.

- Any damages due to transportation, vibration etc. after purchase.

- Any damages caused by earthquake, fire, lightning, pollution and abnormal voltage.

- Any damages caused by negligence, inappropriate storing at high temperatures and humidity or near harmful chemicals.

- Product has been updated

3) Repair or replacement as provided under this warranty is the exclusive remedy to the customer.